

**AVENGER**  
**150 STREET BS IV**



**AVENGER**  
**150 STREET BS IV**

Bajaj Auto Limited  
Akurdi Pune 411 035 India  
Tel +91 20 27472851  
Fax +91 20 27407385  
[www.bajajauto.com](http://www.bajajauto.com)

CIN L65993PN2007PLC130076

# Spare Parts Catalogue



## Notice

---

**AVENGER**  
**150 STREET BS IV**

All information contained in this manual is based on the latest product information at the time of publication. Bajaj Auto Limited accepts no liability for any inaccuracies or omissions in this publication, although every possible care has been taken to make it as complete and accurate as possible. All procedures and specifications subject to change without prior notice. The right is reserved to make such changes at any time without prior notice and without incurring an obligation to make such changes to product manufactured previously. Contact your authorized Bajaj Dealer for the latest information on product improvements incorporated after this manual was issued.

**DOC. NO.: 71112320**

**REV. 15, AUG., 18**

Copy rights : All rights reserved. No part of this publicatin may be reproduced, stored in a retrival system, Or transmitted in any form or by any means, electronic mechanical photocopying, recording or otherwise, without the prior written permission of Bajaj Auto LTD.

---

## Foreword

**AVENGER**  
**150 STREET BS IV**

We have pleasure in presenting the Spare Parts Catalogue for 'Avenger 150 Street' Motorcycle. This catalogue has been specially designed to assist you in selecting the correct parts for procurement to maintain 100% availability.

The Bajaj spares are subjected to the stringent quality control standards to ensure longer life of the vehicle. It is therefore necessary that only the Genuine Bajaj Spares are used.

In a continual effort to improve Performance and Efficiency of the vehicles, Specifications, Diagrams, Illustrations and Part Numbers can change without notice. Consequently, the description in this Spare Parts Catalogue cannot therefore be final and binding on us.

The modifications / alterations which are carried out after the issue of this catalogue, will be conveyed to you through our Service Circulars. You are requested to make necessary corrections in the Parts Catalogue as per the circulars so as to keep your catalogue up-to-date. This will ensure the appropriate and speedy delivery of the Spare Parts as the order placed will bear the latest part numbers.

In case, if you need any technical assistance contact the concerned Regional Office or write to us on the following address :

**Bajaj Auto Limited**  
**Service Department**  
Akurdi, Pune 411 035 India

## Instructions

**AVENGER**  
**150 STREET BS IV**

**1. How to Read the Catalogue :** Open the catalogue and from the pictorial index locate the group in which the part you want to find is present. Turn over to the concerned page number (as given by pictorial index). Now find out the figure of the part you wish to order. Write down the part number against that particular figure number from the text.

In case, if you have the part number and you need the other details, the part index can be used. The part index (at the end of the catalogue) will give you the figure and page number of the part you wish to order.

**2. How to Order Spare Parts :** The part number and the description of the part required should be invariably mentioned in the order as per the catalogue text.

The latest part number as conveyed through our service circulars should only appear on the order. In case of ordering painted components, colour shade of the components should be mentioned.

The quantity shown against the part number is the quantity per vehicle for that group so that particular quantity should be multiplied by the number of sets required.

**3. Part Number System :** We have used 8 digit system for part numbers. The model or hardware item is indicated by first two digits or alphanumeric, the next two or four digits indicate main group and the last four or two digits indicate serial number in main group or serial number or subgroup of fastener respectively. Thus the part numbers will be indicated by 2-2-4 or 2-4-2 digit system. Understanding this system will enable you to identify the spare parts easily.

**4. Abbreviations :** The following abbreviations are used in this catalogue.

Assly	Assembly	V	Volts
N.I.	Not illustrated	W	Watts
C'case	Crankcase	Accl.	Accelerator
Cyl	Cylinder	Comp.	Complete
O/s	Over size	Fr.	Front
Rr.	Rear	Std.	Standard
L	Length	A/t.	Alternate
R.H.	Right hand	L.H.	Left hand
Hex.	Hexagonal	AR	As required





## Index

**AVENGER**  
150 STREET BS IV

Plate No.	Description	Page No.
1	Cover Cylinder Head	2
2	Cylinder Head	4
3	SAI System	6
4	Valve	8
5	Camshaft / Tensioner	10
6	Cylinder and Piston	12
7	Crankshaft	14
8	Balancer & Balancer Idler Gear	16
9	Transmission	18
10	Change Drum / Shift Fork	20
11	Gear Change Mechanism	22
12	Engine Assembly & Crankcase RH	24
13	Crankcase LH	26
14	Cover Clutch	28
15	Cover Magneto	30
16	Clutch Assembly	32
17	Oil Pump	34
18	Carburettor	36
19	Silencer Assembly	38
20	Air Cleaner	40
21	Magneto, CDI, Spark Plug & H.T. Coil	42
22	Starter Motor & Starter Assembly	44
23	Frame & Frame Fitting	46
24	Frame Fitting	48
25	Swing Arm	50
26	Rear Shock Absorber	52
27	Foot Rest	54
28	Mudguard - Front & Rear	56
29	Side Stand & Center Stand Assembly	58
30	Tyre, Tube & Wheel Rim	60
31	Front Hub	62

## Index

**AVENGER**  
150 STREET BS IV

Plate No.	Description	Page No.
32	Rear Hub - Alloy Wheel	64
33	Rear Brake Pedal	66
34	Front Master Cylinder	68
35	Front Brake - Caliper & Disc	70
36	Handle Bar Assembly	72-74
37	Front Fork	76-78
38	Fuel Tank	80-82
39	EVAP Mechanism	84
40	Seat / Grip Frame Rear / Cover Grip Frame	86
41	Speedometer	88
42	Cables	90
43	Side Covers / Chain Covers	92
44	Guards	94
45	Head Light	96
46	Tail Light / Reflector Reflex	98
47	Indicator Light	100
48	Electrical Equipment	102
49	Ignition Switch & Control Switch	104
50	Tool Kit & Wind Shield Kit	106
51	Painted Parts and Decals	108
52	Consumable Parts	109 - 112
	Kits List	113 - 116
	Amendment Sheet (Parts Added)	117
	Amendment Sheet (Parts Deleted)	118
	Part Index	119

# Pictorial Index

**AVENGER**  
**150 STREET BS IV**

PLATE NO. : 1 COVER CYLINDER HEAD	PAGE NO. 1
--------------------------------------	---------------

PLATE NO. : 2 CYLINDER HEAD	PAGE NO. 3
--------------------------------	---------------

PLATE NO. : 3 SAI System	PAGE NO. 5
-----------------------------	---------------

PLATE NO. : 4 VALVE	PAGE NO. 7
------------------------	---------------

# Pictorial Index

**AVENGER**  
**150 STREET BS IV**

PLATE NO. : 5 CAMSHAFT / TENSIONER	PAGE NO. 9
---------------------------------------	---------------

PLATE NO. : 6 CYLINDER AND PISTON	PAGE NO. 11
--------------------------------------	----------------

PLATE NO. : 7 CRANKSHAFT	PAGE NO. 13
-----------------------------	----------------

PLATE NO. : 8 BALANCER & BALANCER IDLER GEAR	PAGE NO. 15
---	----------------

# Pictorial Index

**AVENGER**  
**150 STREET BS IV**

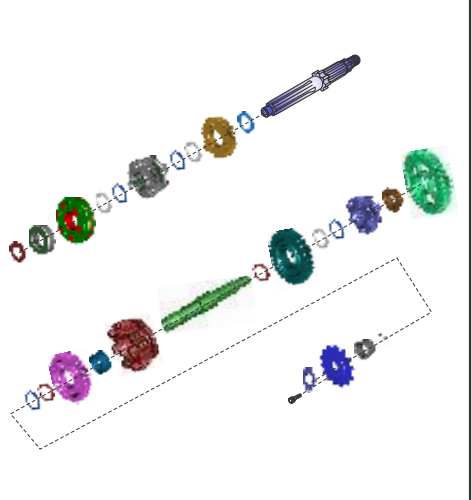
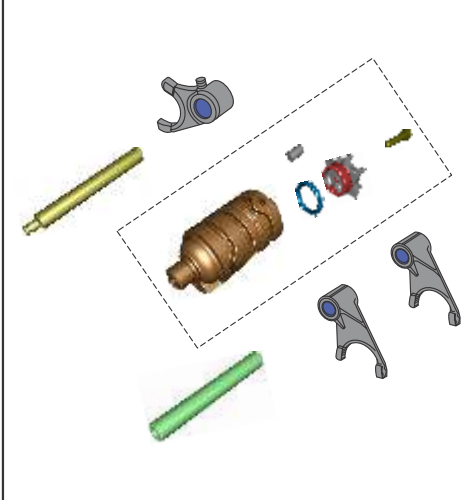
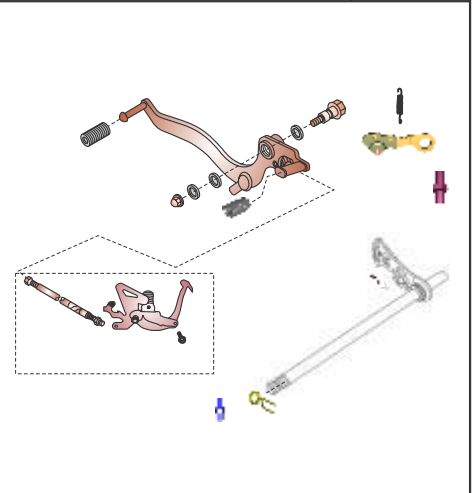
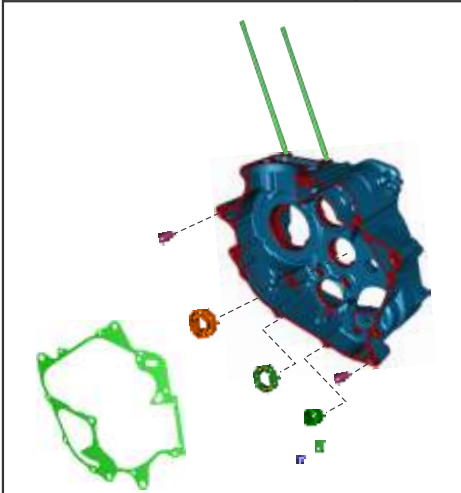
PLATE NO. : 9 TRANSMISSION	PAGE NO. 17	PLATE NO. : 10 CHANGE DRUM / SHIFT FORK	PAGE NO. 19
			

PLATE NO. : 11 GEAR CHANGE MECHANISM	PAGE NO. 21	PLATE NO. : 12 ENGINE ASSEMBLY & CRANKCASE RH	PAGE NO. 23
			

# Pictorial Index

**AVENGER**  
**150 STREET BS IV**

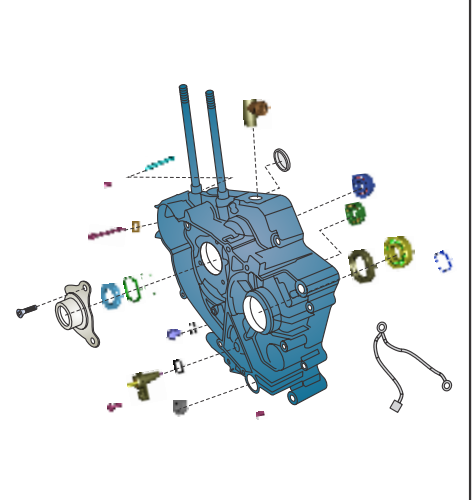
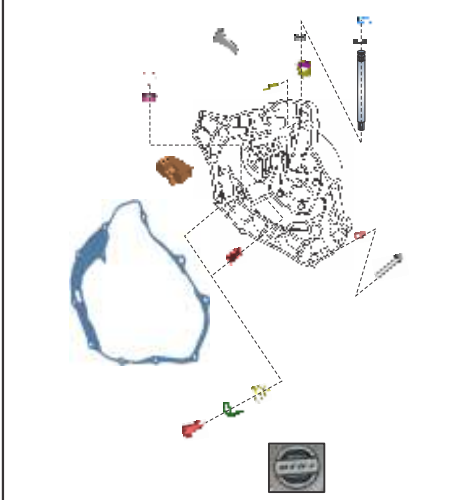

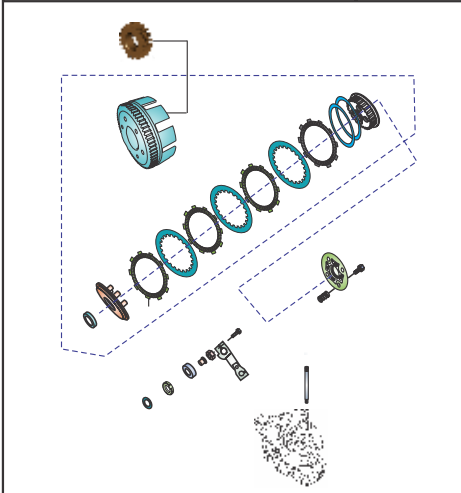
PLATE NO. : 13 CRANKCASE LH	PAGE NO. 25	PLATE NO. : 14 COVER CLUTCH	PAGE NO. 27
			

PLATE NO. : 15 COVER MAGNETO	PAGE NO. 29	PLATE NO. : 16 CLUTCH ASSEMBLY	PAGE NO. 31
			

# Pictorial Index

**AVENGER**  
**150 STREET BS IV**

PLATE NO. : 17  
OIL PUMP

PAGE NO.  
33

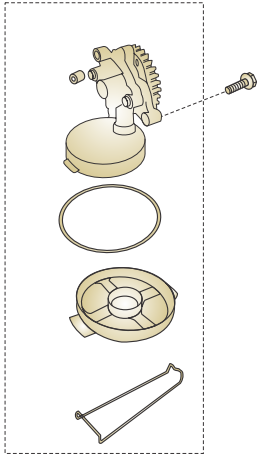


PLATE NO. : 18  
CARBURETTOR

PAGE NO.  
35

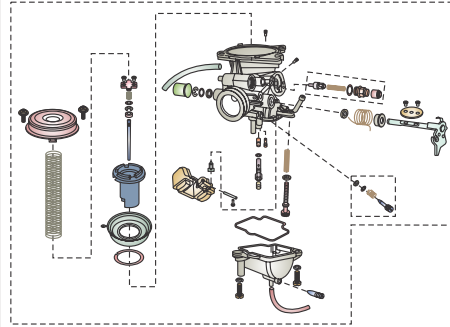


PLATE NO. : 19  
SILENCER ASSEMBLY

PAGE NO.  
37

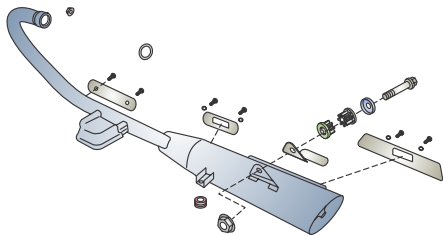
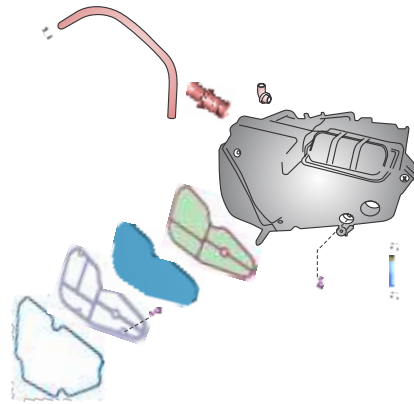


PLATE NO. : 20  
AIR CLEANER

PAGE NO.  
39



# Pictorial Index

**AVENGER**  
**150 STREET BS IV**

PLATE NO. : 21  
MAGNETO, CDI, SPARK PLUG & H.T. COIL

PAGE NO.  
41

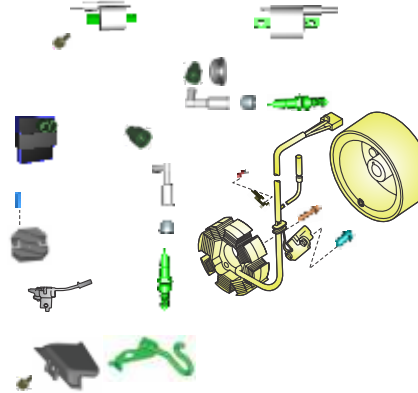


PLATE NO. : 22  
STARTER MOTOR & STARTER ASSLY.

PAGE NO.  
43

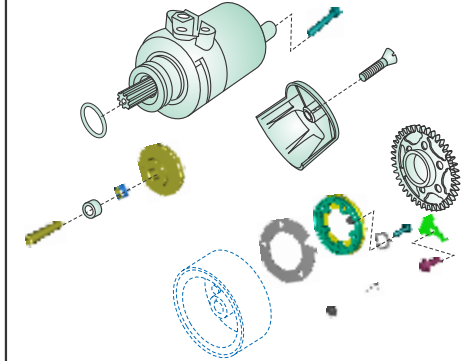


PLATE NO. : 19  
SILENCER ASSEMBLY

PAGE NO.  
37

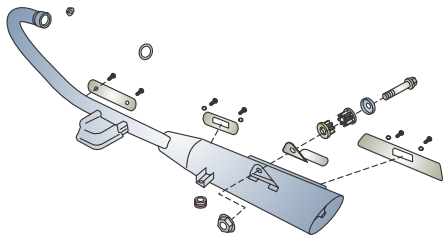


PLATE NO. : 20  
AIR CLEANER

PAGE NO.  
39

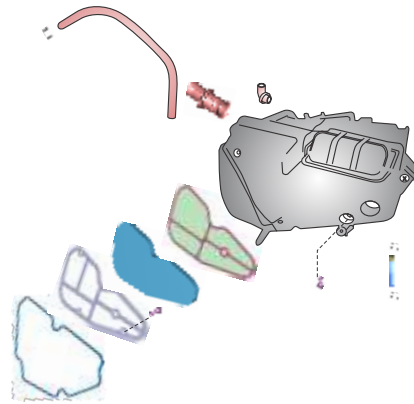


PLATE NO. : 23  
FRAME & FRAME FITTING

PAGE NO.  
45

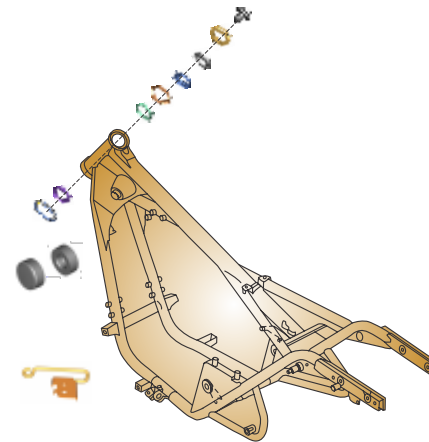
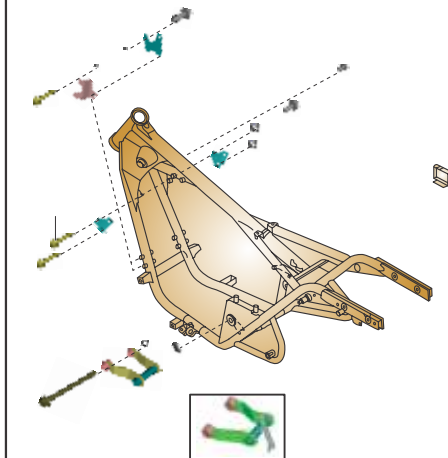


PLATE NO. : 24  
FRAME FITTING

PAGE NO.  
47



# Pictorial Index

**AVENGER**  
**150 STREET BS IV**

PLATE NO. : 25  
SWING ARM

PAGE NO.  
49

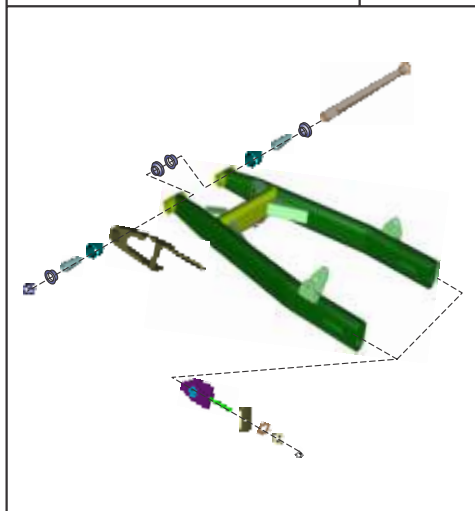


PLATE NO. : 26  
REAR SHOCK ABSORBER

PAGE NO.  
51

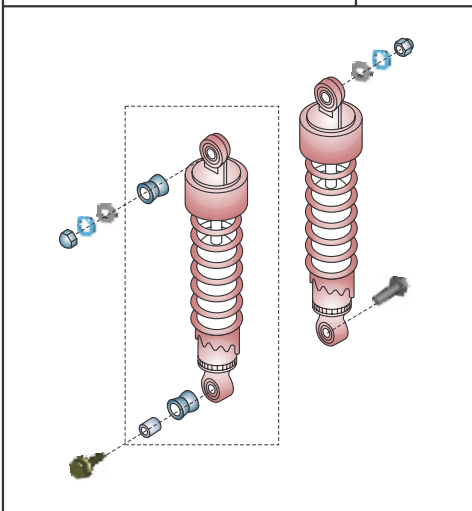


PLATE NO. : 27  
FOOT REST

PAGE NO.  
53

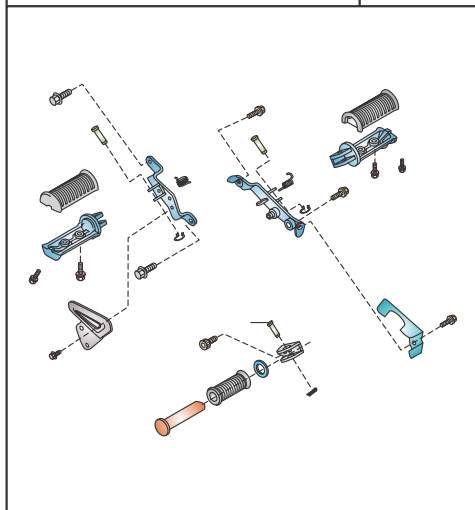
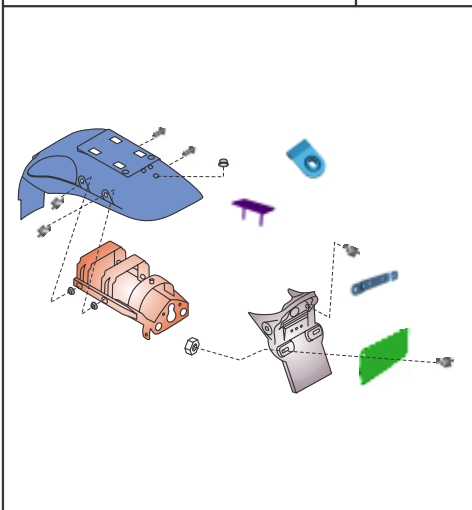


PLATE NO. : 28  
MUDGUARD - FRONT & REAR

PAGE NO.  
55



# Pictorial Index

**AVENGER**  
**150 STREET BS IV**

PLATE NO. : 29  
SIDE STAND & CENTER STAND ASSLY.

PAGE NO.  
57

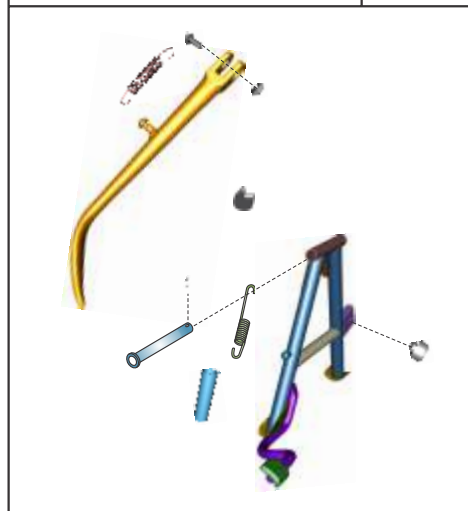


PLATE NO. : 30  
TYRE, TUBE & WHEEL RIM

PAGE NO.  
59

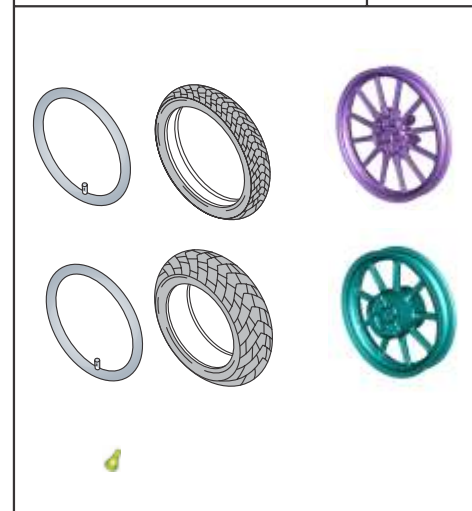


PLATE NO. : 31  
FRONT HUB

PAGE NO.  
61

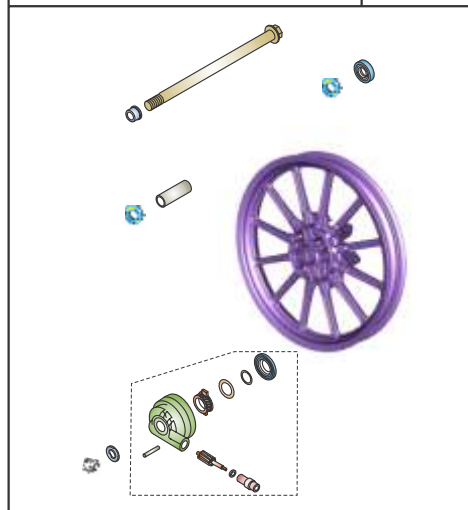
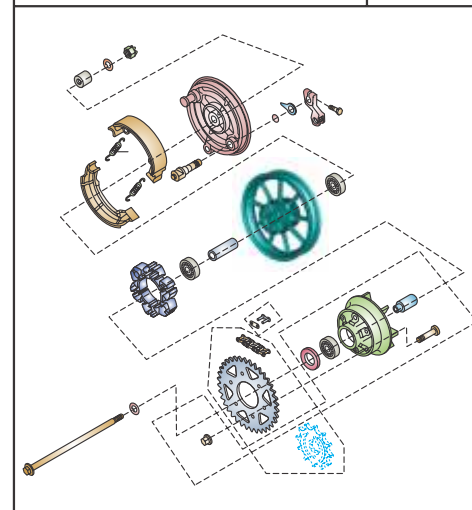


PLATE NO. : 32  
REAR HUB - ALLOY WHEEL

PAGE NO.  
63



# Pictorial Index

PLATE NO. : 33  
REAR BRAKE PEDAL

PAGE NO.  
65

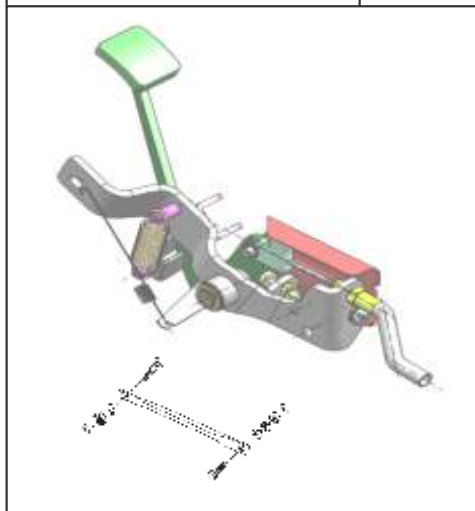


PLATE NO. : 34  
FRONT MASTER CYLINDER

PAGE NO.  
67

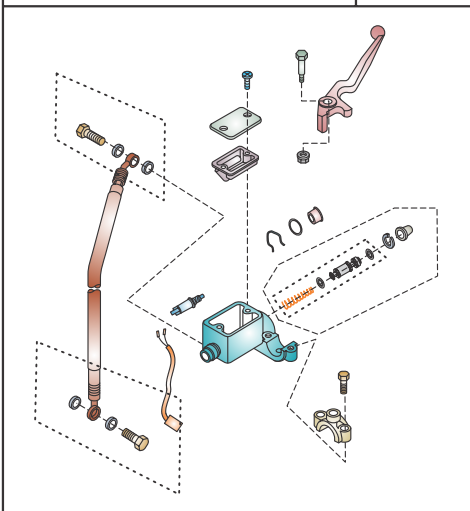


PLATE NO. : 35  
FRONT BRAKE - CALIPER & DISC

PAGE NO.  
69-71

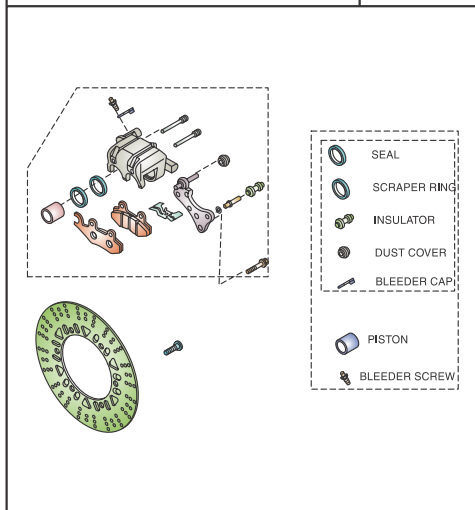
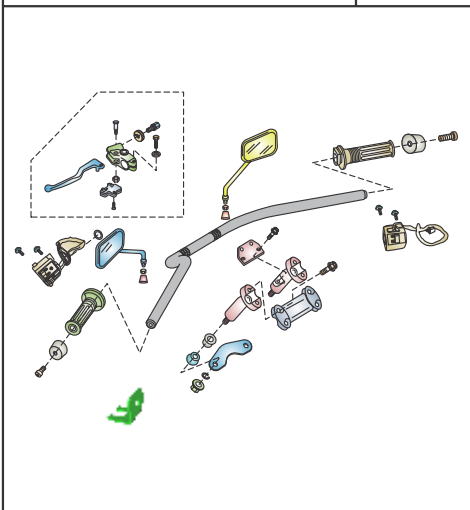


PLATE NO. : 36  
HANDLE BAR ASSEMBLY

PAGE NO.  
73-75



# Pictorial Index

PLATE NO. : 37  
FRONT FORK

PAGE NO.  
77-79

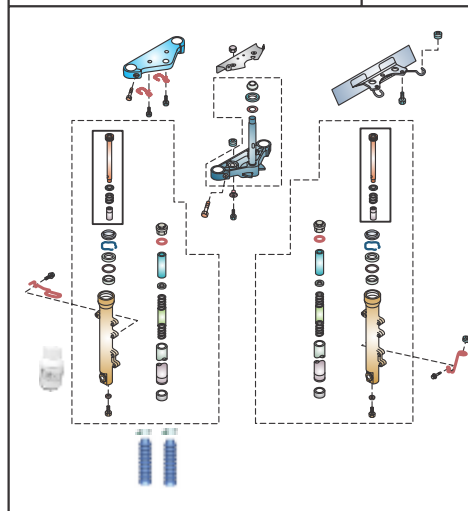


PLATE NO. : 38  
FUEL TANK

PAGE NO.  
81

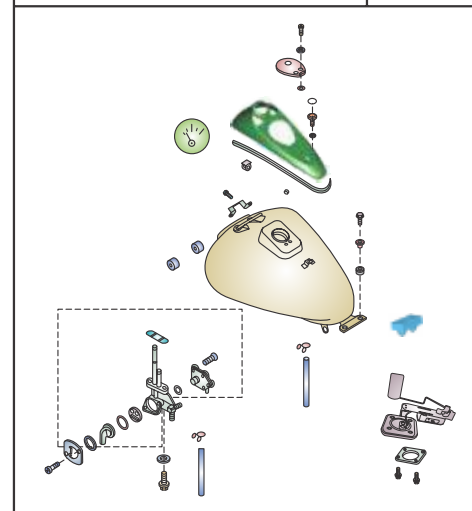


PLATE NO. : 39  
EVAP MECHANISM

PAGE NO.  
83

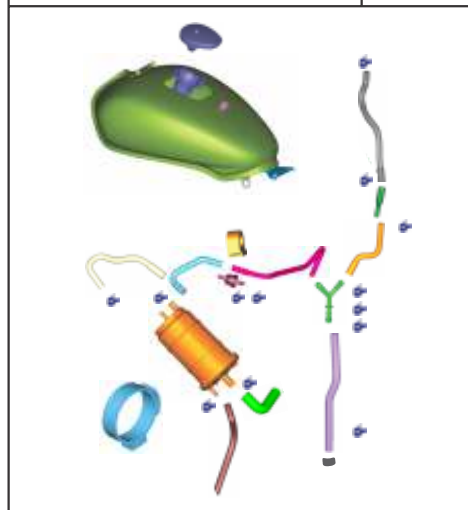
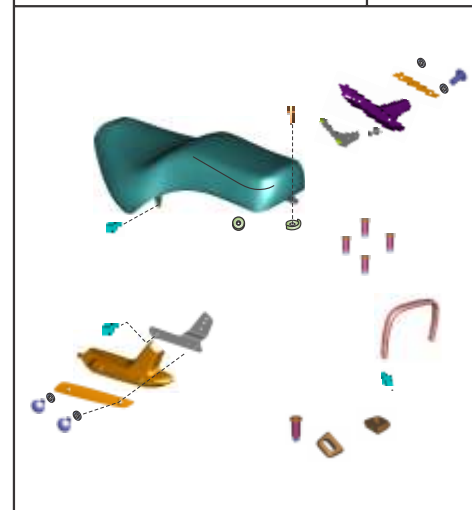


PLATE NO. : 40  
SEAT / GRIP FRAME REAR /  
COVER GRIP FRAME

PAGE NO.  
85



# Pictorial Index

**AVENGER**  
**150 STREET BS IV**

PLATE NO. : 41  
SPEEDOMETER

PAGE NO.  
87



PLATE NO. : 42  
CABLES

PAGE NO.  
89



PLATE NO. : 43  
SIDE COVERS / CHAIN COVERS

PAGE NO.  
91

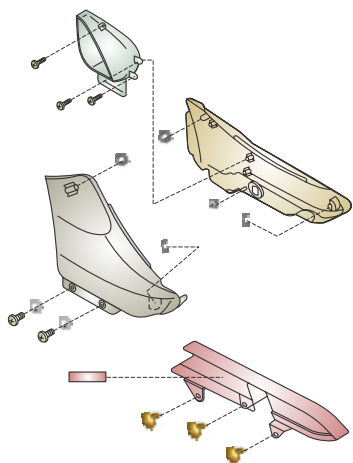
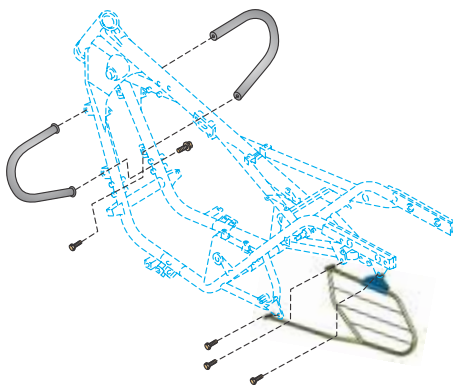


PLATE NO. : 44  
GUARDS

PAGE NO.  
93



# Pictorial Index

**AVENGER**  
**150 STREET BS IV**

PLATE NO. : 45  
HEAD LIGHT

PAGE NO.  
95

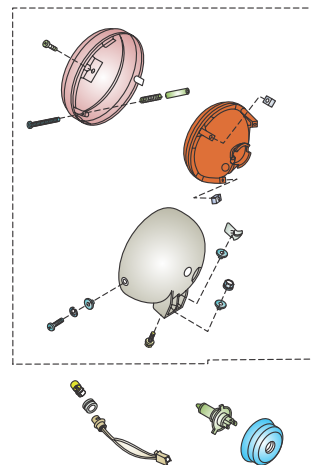


PLATE NO. : 46  
TAIL LIGHT / REFLECTOR REFLEX

PAGE NO.  
97

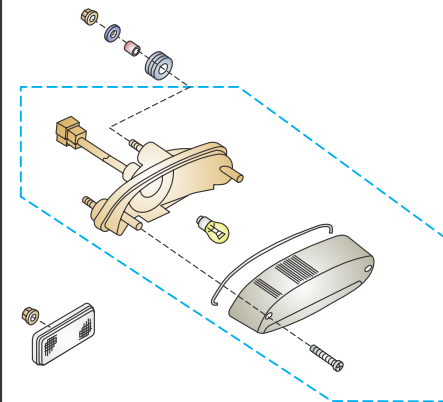


PLATE NO. : 47  
INDICATOR LIGHT

PAGE NO.  
99

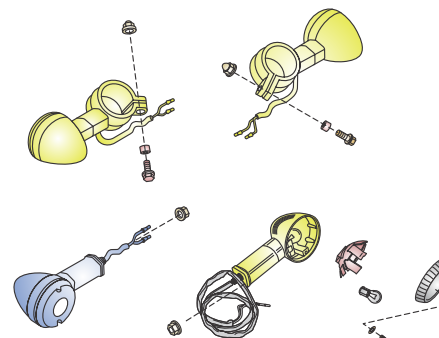


PLATE NO. : 48  
ELECTRICAL EQUIPMENT

PAGE NO.  
101



# Pictorial Index

PLATE NO. : 49  
IGNITION SWITCH & CONTROL SWITCH

PAGE NO.  
103

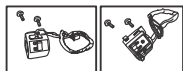
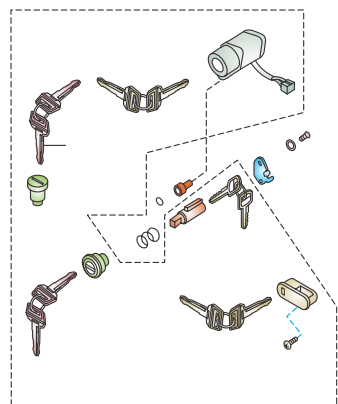


PLATE NO. : 50  
TOOL KIT & WIND SHIELD KIT

PAGE NO.  
105

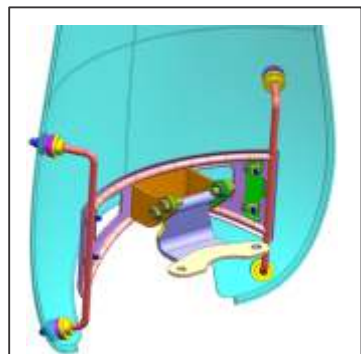


PLATE NO. : 51  
PAINTED PARTS AND DECALS

PAGE NO.  
107



**AVENGER**

PLATE NO. : 52  
CONSUMABLE PARTS

PAGE NO.  
109



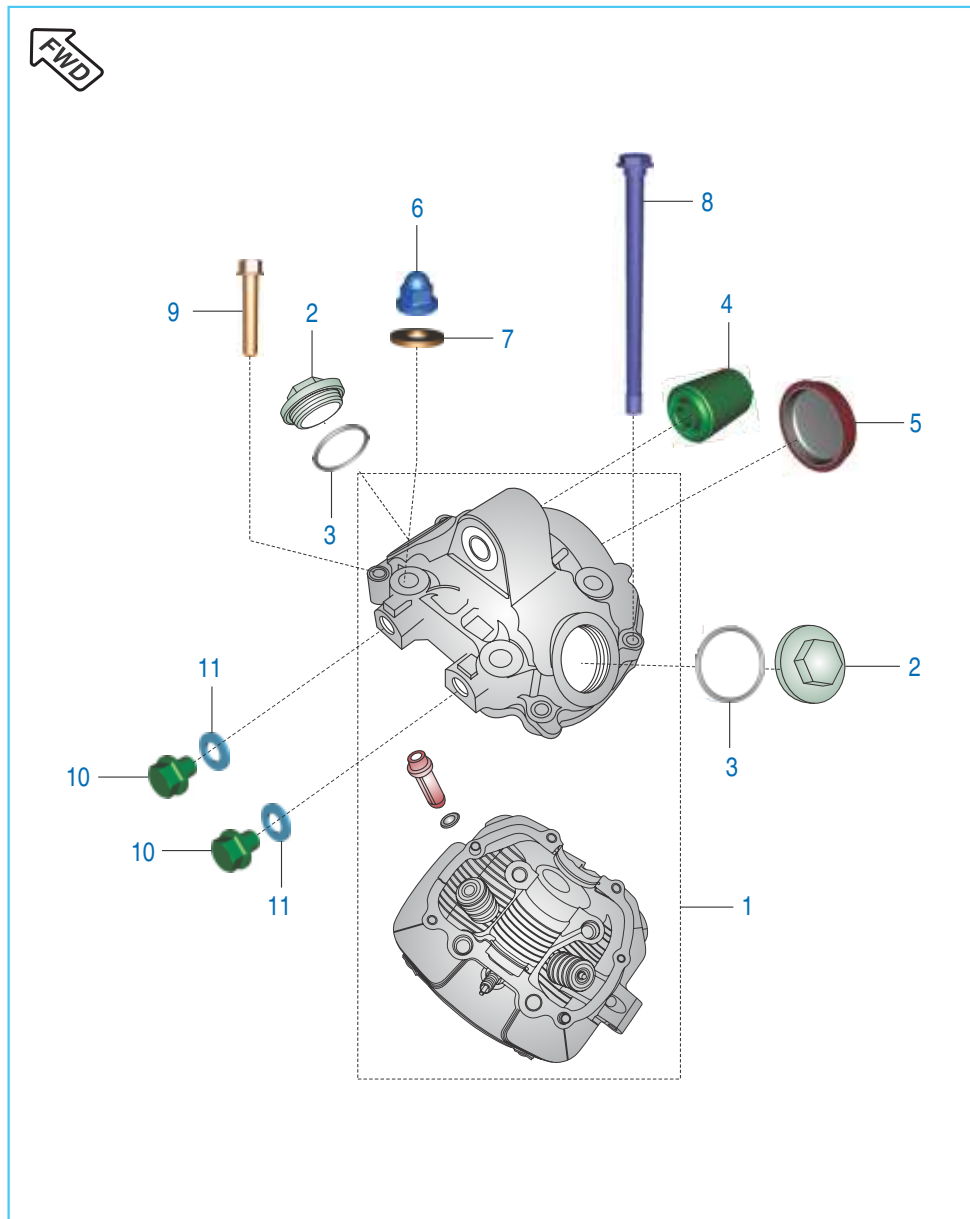
# Pictorial Index

PLATE NO. : 52  
CONSUMABLE PARTS

PAGE NO.  
111

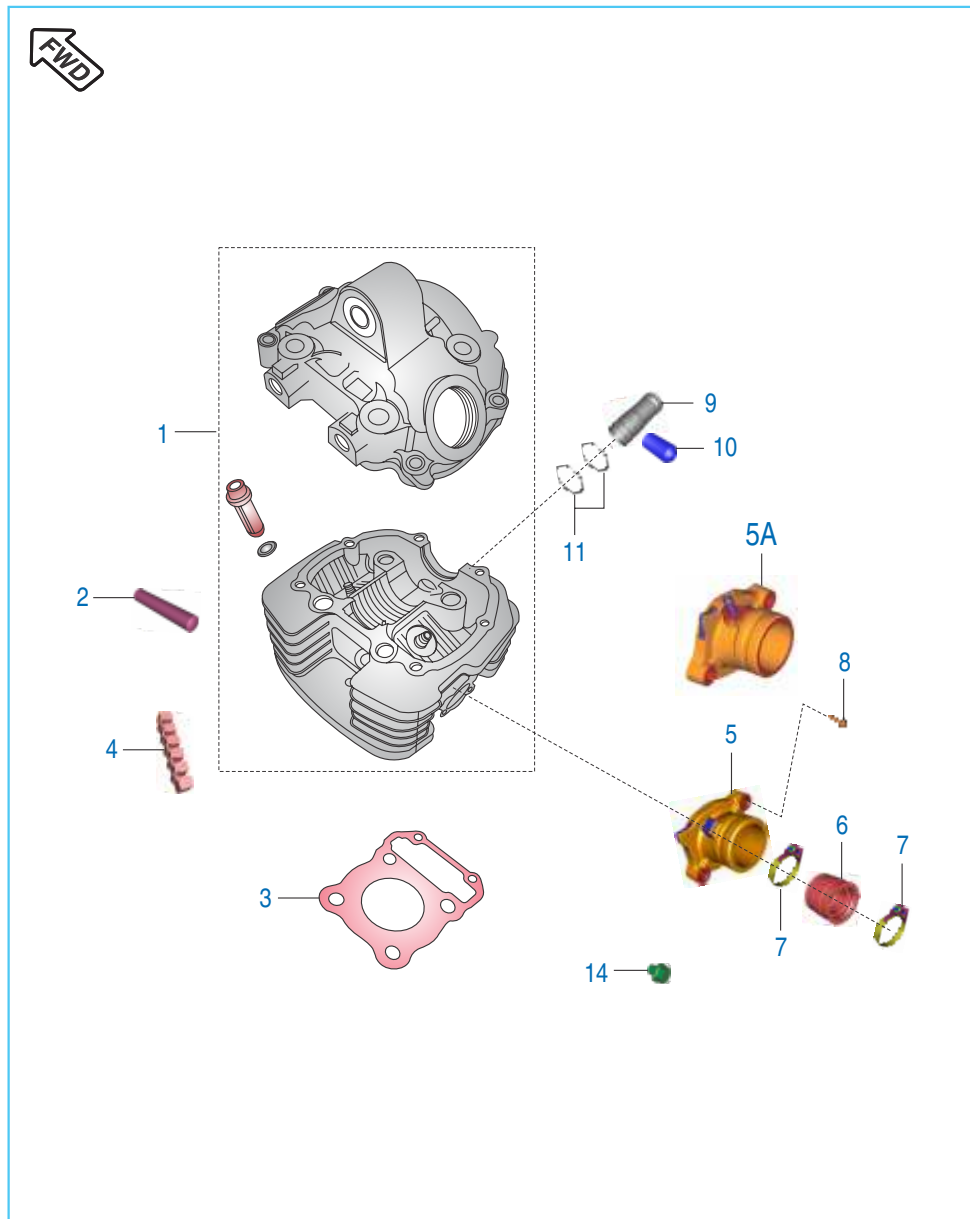


Cover Cylinder Head



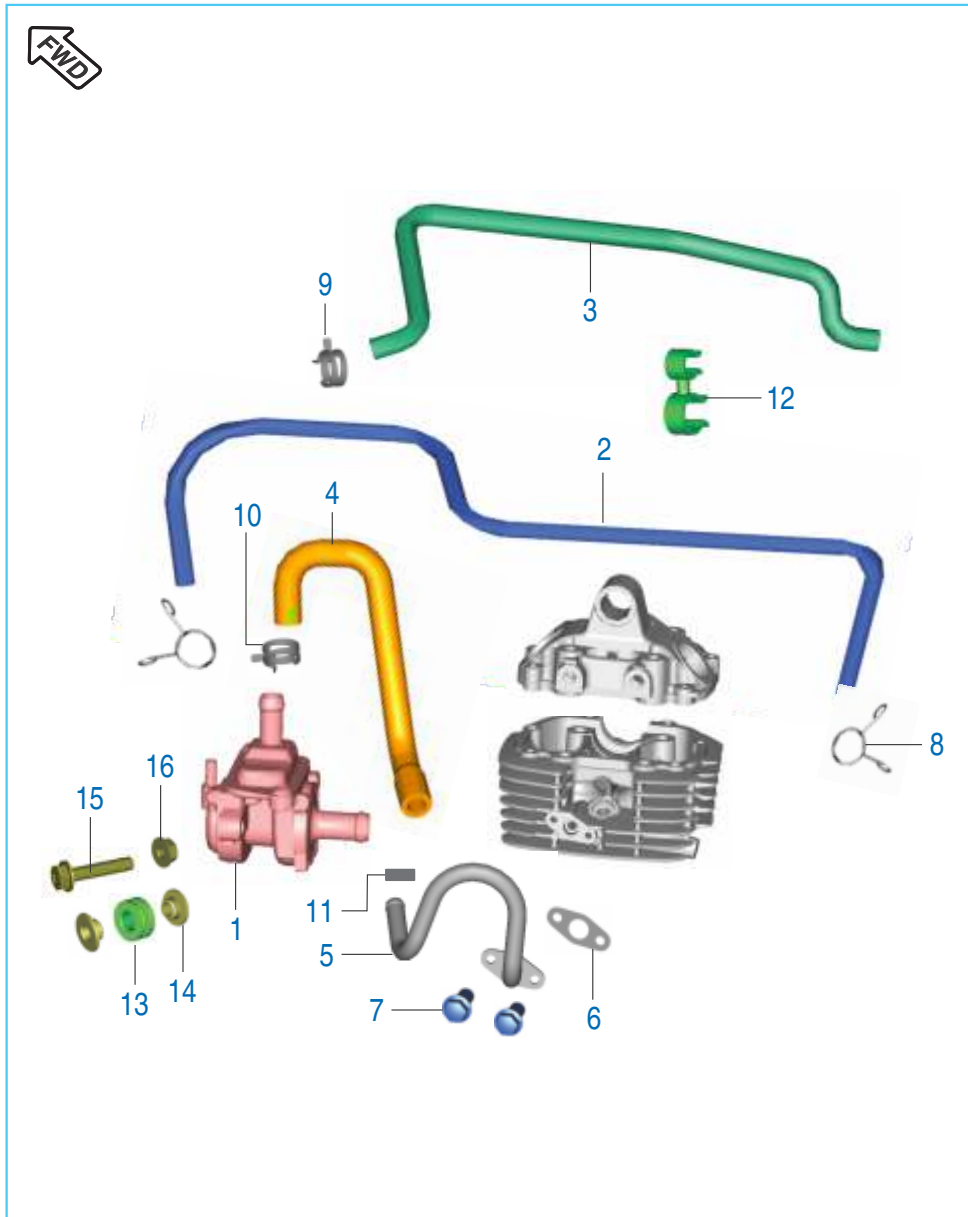
No.	Part No.	Description	Qty.	Remarks
1	PD 5110 54	Head Cylinder with Cover	1	Refer Page No. 106 BS IV
	36 PD00 62	Kit Head Cylinder with Cover	1	
2	PD 5110 25	Cover Tappet	2	
3	36 DS10 01	Kit 'O' Ring for Cover Cyl Head	1	Refer Page No. 106
4	DS 1011 66	Silent Bush (V)	1	
5	DS 1010 96	Camshaft Cap	1	
6	39 2647 15	Domed Cap Nut	4	
7	DS 1010 84	Copper Gasket (Washer)	4	
8	59 0400 23	Hex. Bolt with Flange	2	
9	39 1075 04	Hex. Bolt with Flange M6 x 35	4	
10	DH 1012 72	Plug	2	
11	31 1011 06	Gasket (Washer)	2	

Cylinder Head



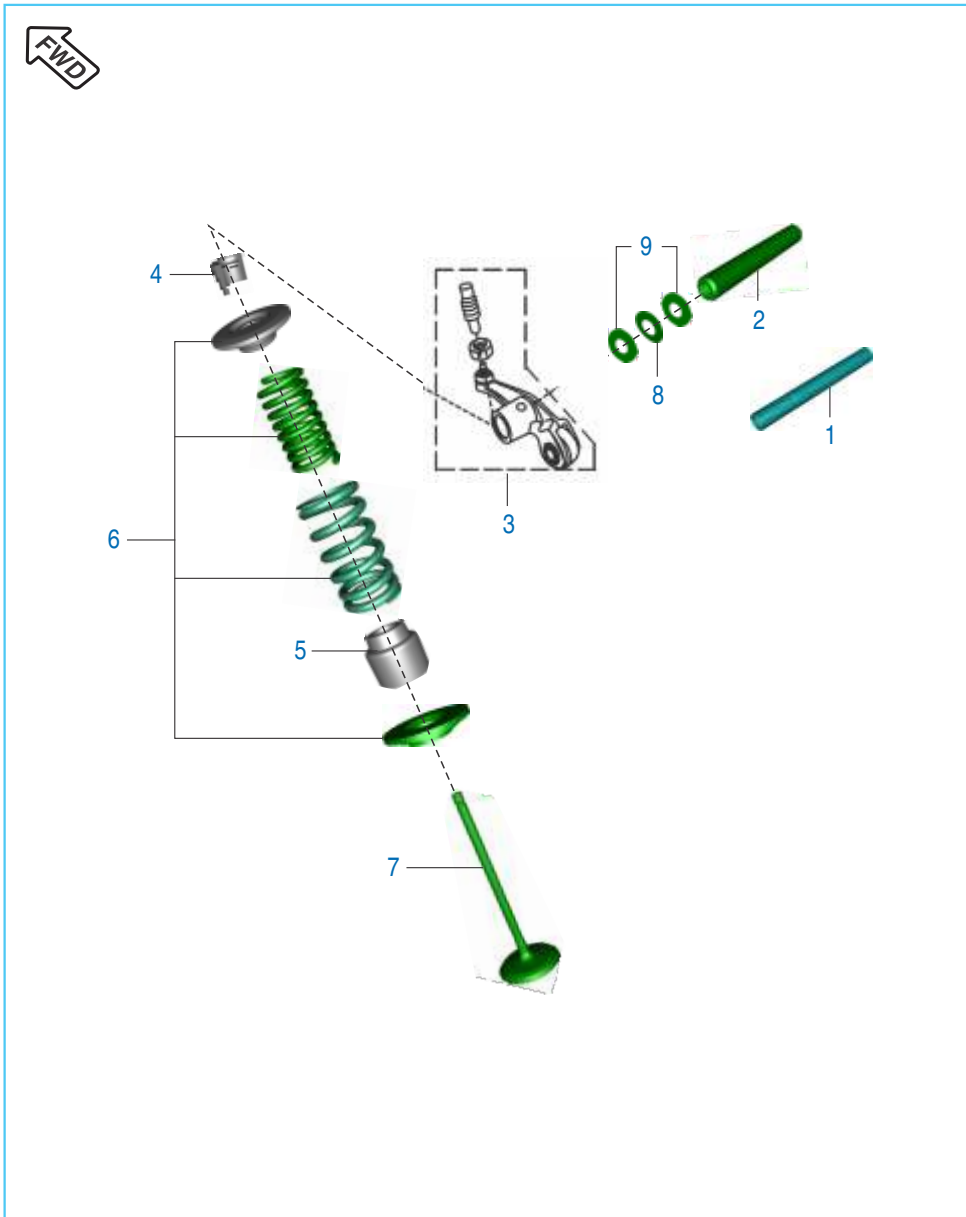
No.	Part No.	Description	Qty.	Remarks
1	PD 5110 54	Head Cylinder with Cover	1	Refer Page No. 106
	36 PD00 62	Kit Head Cylinder with Cover	1	BS IV
2	39 1660 05	Stud (Exhaust)	2	
3	DH 1016 80	Gasket Cylinder Head	1	
4	DH 1015 08	Damper Cylinder Head	5	
5	JM 1010 16	Manifold	1	
5A	PD 5814 10	Assembly Intake Manifold SAI	1	BS IV
6	DJ 1210 30	Insulator Rubber	1	
7	DH 1210 38	Clamp for Insulator	2	
8	39 1674 04	Hex. Bolt / Flange	2	
9	DH 1110 12	Sleeve - Spark Plug	1	
10	39 2608 01	Grub Screw	1	
11	36 DS10 01	'O' Ring Kit for Cover Cyl. Head	1	Refer Page No. 106

SAI System



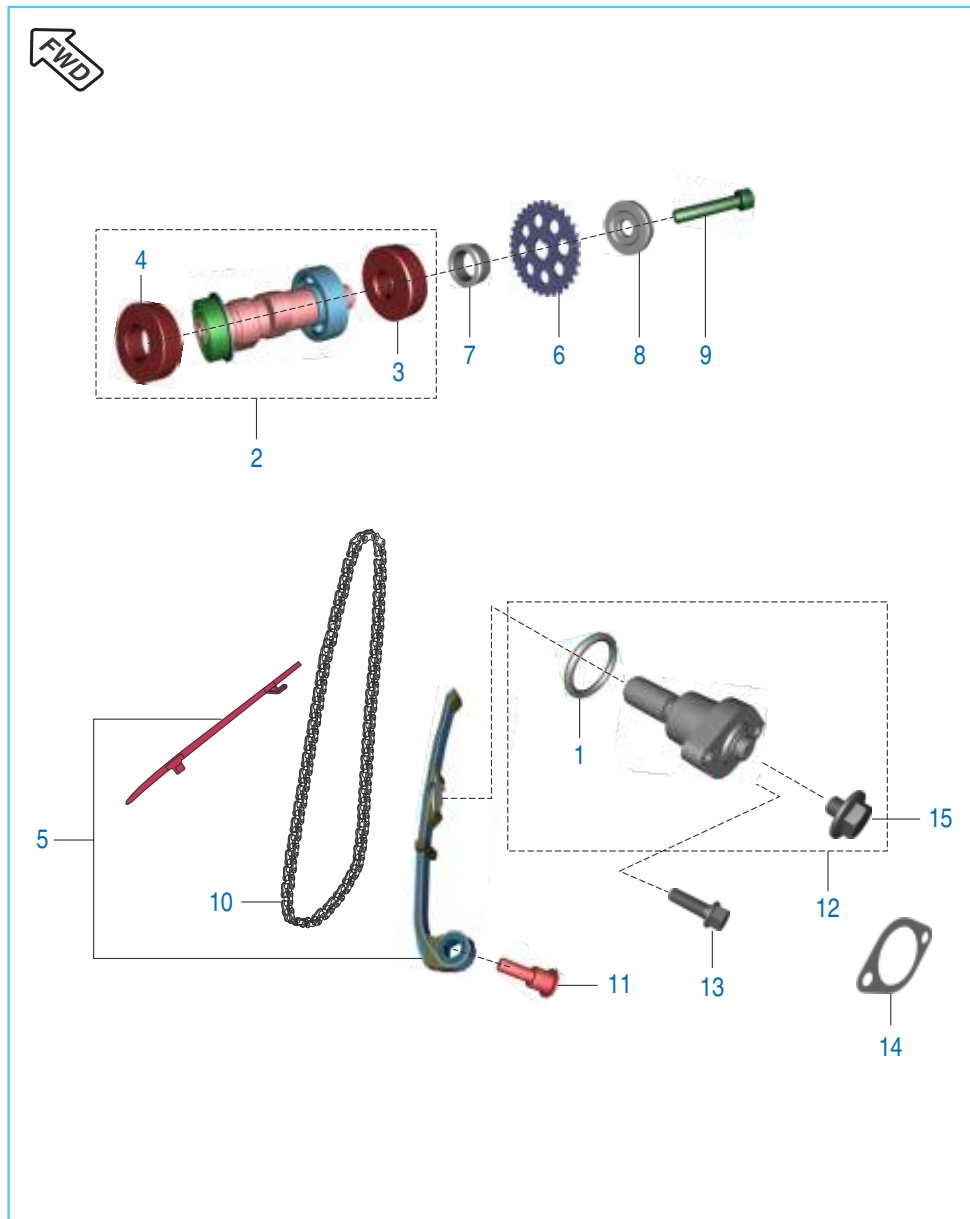
No.	Part No.	Description	Qty.	Remarks
1	PD 5822 00	SAI Unit	1	
2	PD 5824 00	Hose SAI Unit To Manifold	1	
3	PD 5824 01	Hose SAI Unit To Air Filter	1	
4	PD 5824 02	Hose SAI Unit To SAI Pipe	1	
5	DH 1021 74	Metal Pipe SAI		
6	DH 1021 80	Gasket Metal Pipe	1	
7	KA EG06 14	Flanged Bolt	2	
8	33 1410 08	Clamp	2	
9	JE 5810 39	Band Clip	1	
10	JL 5810 66	Clamp SAI Pipe	1	
11	JL 5810 65	Clamp	1	
12	AA 1410 67	Clip Swivel Spacer	1	
13	JD 1138 14	Grommet SAI Unit	2	
14	JD 1138 15	Sleeve SAI Unit	4	
15	KA DQ06 30	Bolt	2	
16	KC GF06 06	Nut	2	

Valve



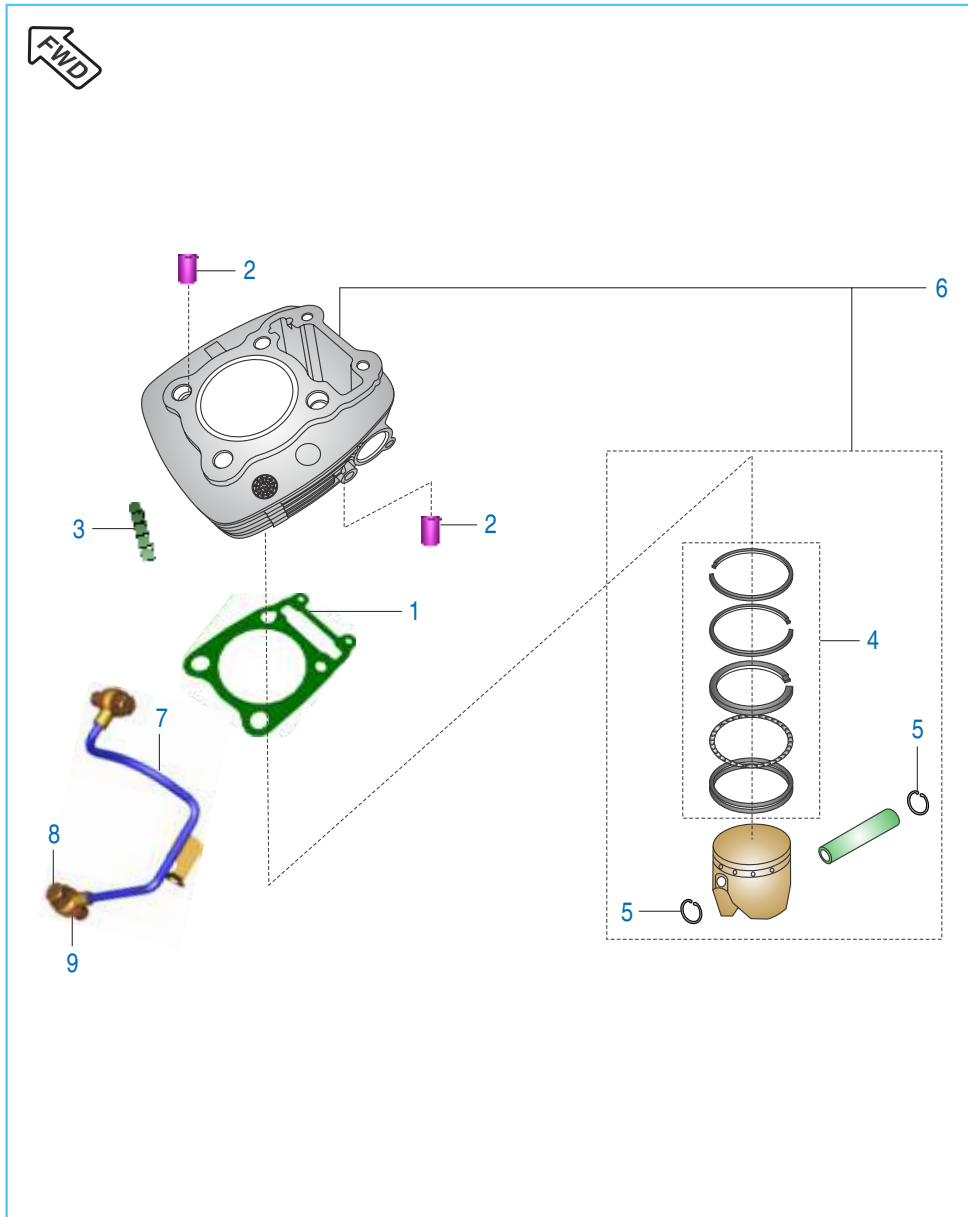
No.	Part No.	Description	Qty.	Remarks
1	DK 1017 48	Rocker Arm Shaft - Intake	1	
2	DK 1017 51	Rocker Arm Shaft - Exhaust	1	
3	DK 1017 55	Rocker Arm Assembly	2	
4	DG 1010 29	Cotter valve	4	
5	39 2017 19	Seal valve stem	2	
6	DK 1013 26	Valve Repair Kit	1	Refer Page No. 106
7	36 DS10 02	Valve Kit	1	Refer Page No. 105
8	DH 1012 95	Wave washer	2	
9	39 2440 11	Plain washer	4	

Camshaft / Tensioner



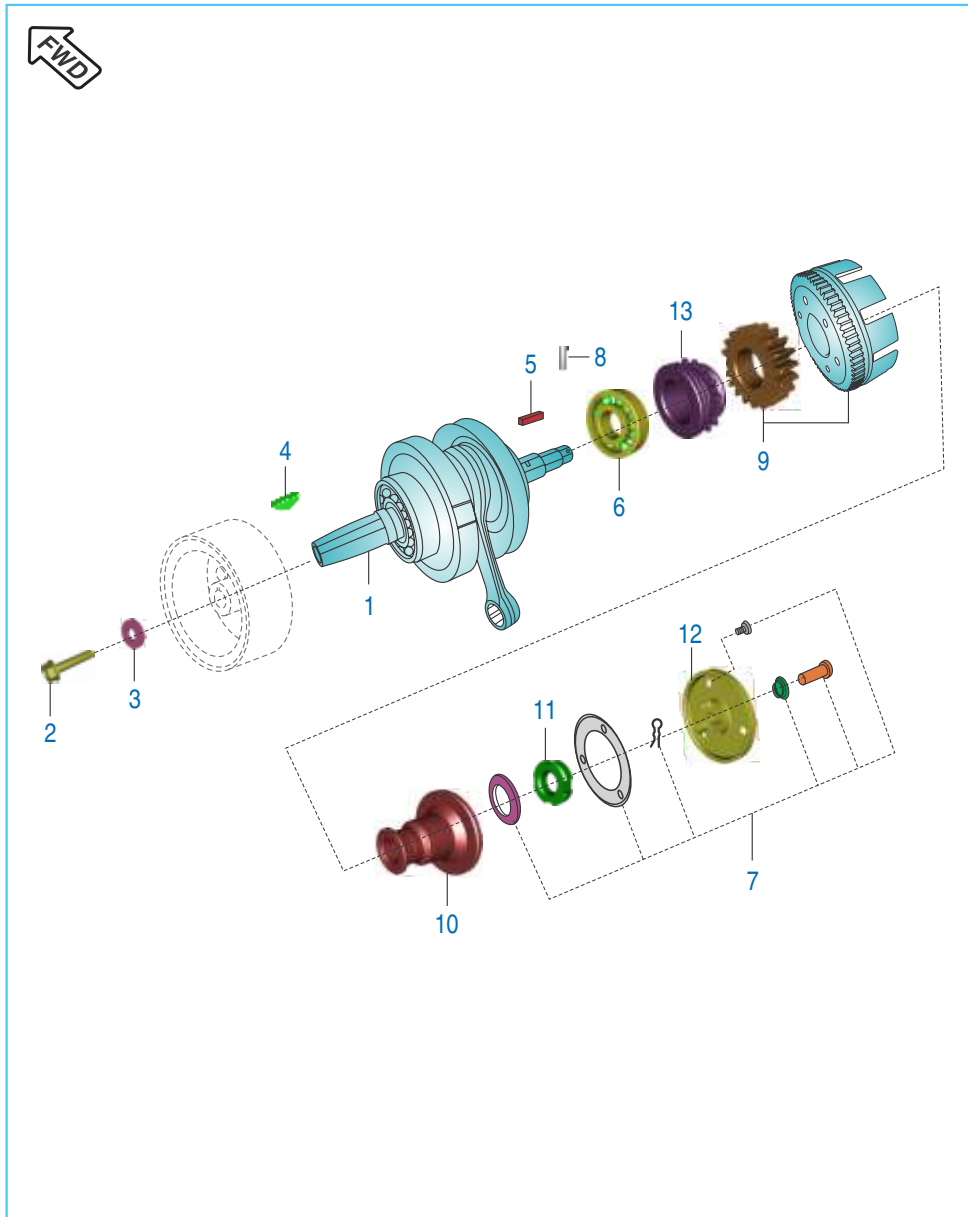
No.	Part No.	Description	Qty.	Remarks
1	39 2669 21	Ring 'O' Tension assly	1	
2	PD 5112 24	Camshaft Assembly	1	
3	39 2542 20	Bearing Ball -15X42X13	1	
4	39 2617 20	Bearing Ball 6002 C3	1	
5	36 DH40 30	Guide chain Kit	1	Refer Page No.105
6	PD 5112 29	Sprocket cam Driven	1	
7	DH 1014 12	Collar cam Sprocket	1	
8	DH 1010 48	Special camshaft washer	1	
9	59 0400 31	Hex. Soc. Head cap Bolt	1	
10	JC 1010 35	Cam Chain	1	
11	DH 1013 92	Cam chain Tensioner pivot Bolt	1	
12	JC 1010 34	Tensioner Assly	1	
13	39 1673 04	Hex Bolt / Flange	2	
14	CS 1011 28	Tensioner assly. gasket	1	
15	DD 1010 62	Bolt	1	

Cylinder and Piston



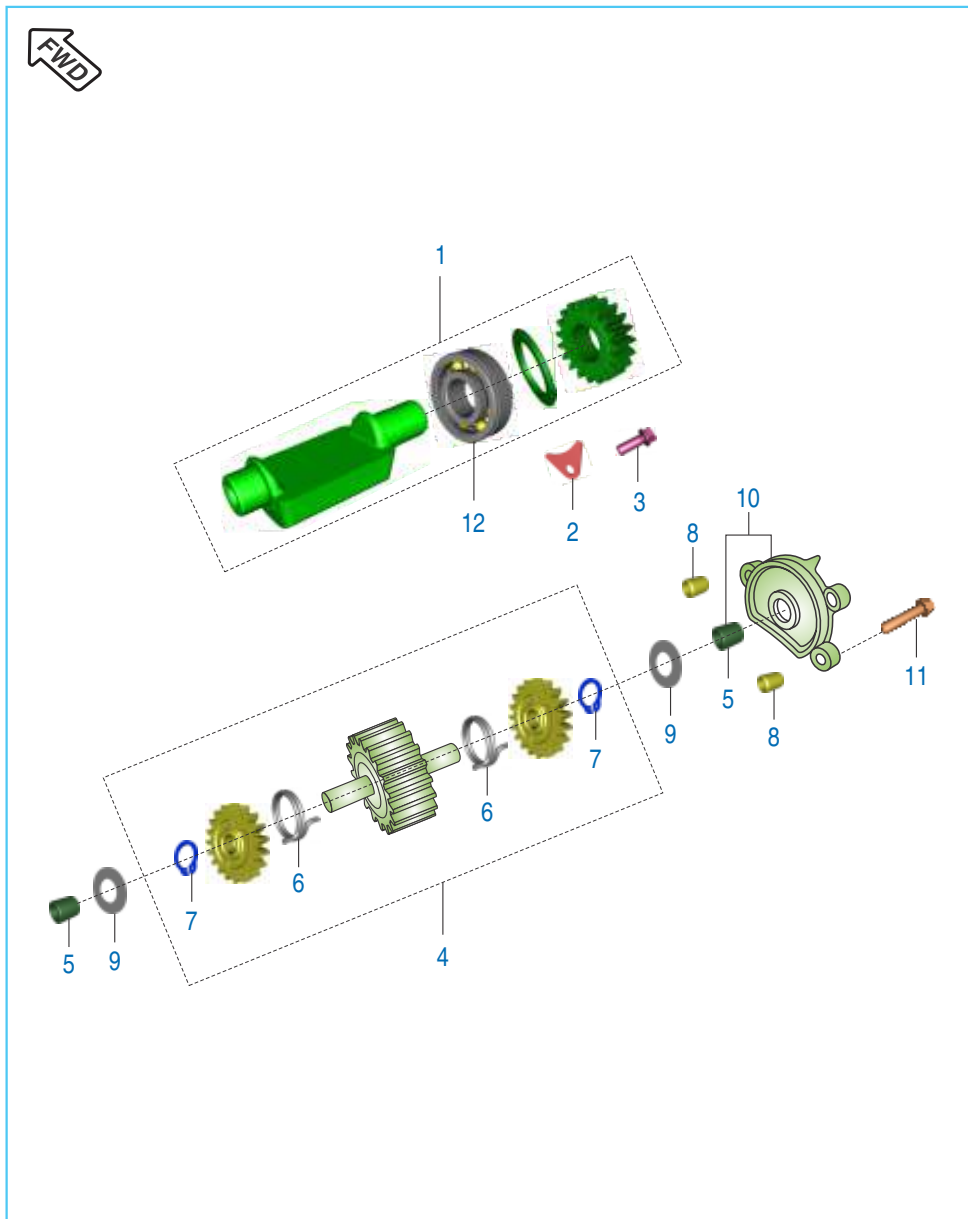
No.	Part No.	Description	Qty.	Remarks
1	DH 1010 16	Gasket Cylinder	1	
2	39 2181 06	Pin dowel	4	
3	DH 1014 14	Damper	6	
4	36 DJ40 08	Ring Set Piston	1	
5	DH 1016 71	Ring Snap	2	
6	DH 1018 64	Kit Cylinder Block / Piston Assly.	1	
7	DK 1015 92	Oil cooler pipe	1	
8	DD 1210 07	Bolt special	2	
9	31 1210 06	Washer copper (Gasket)	4	

Crankshaft



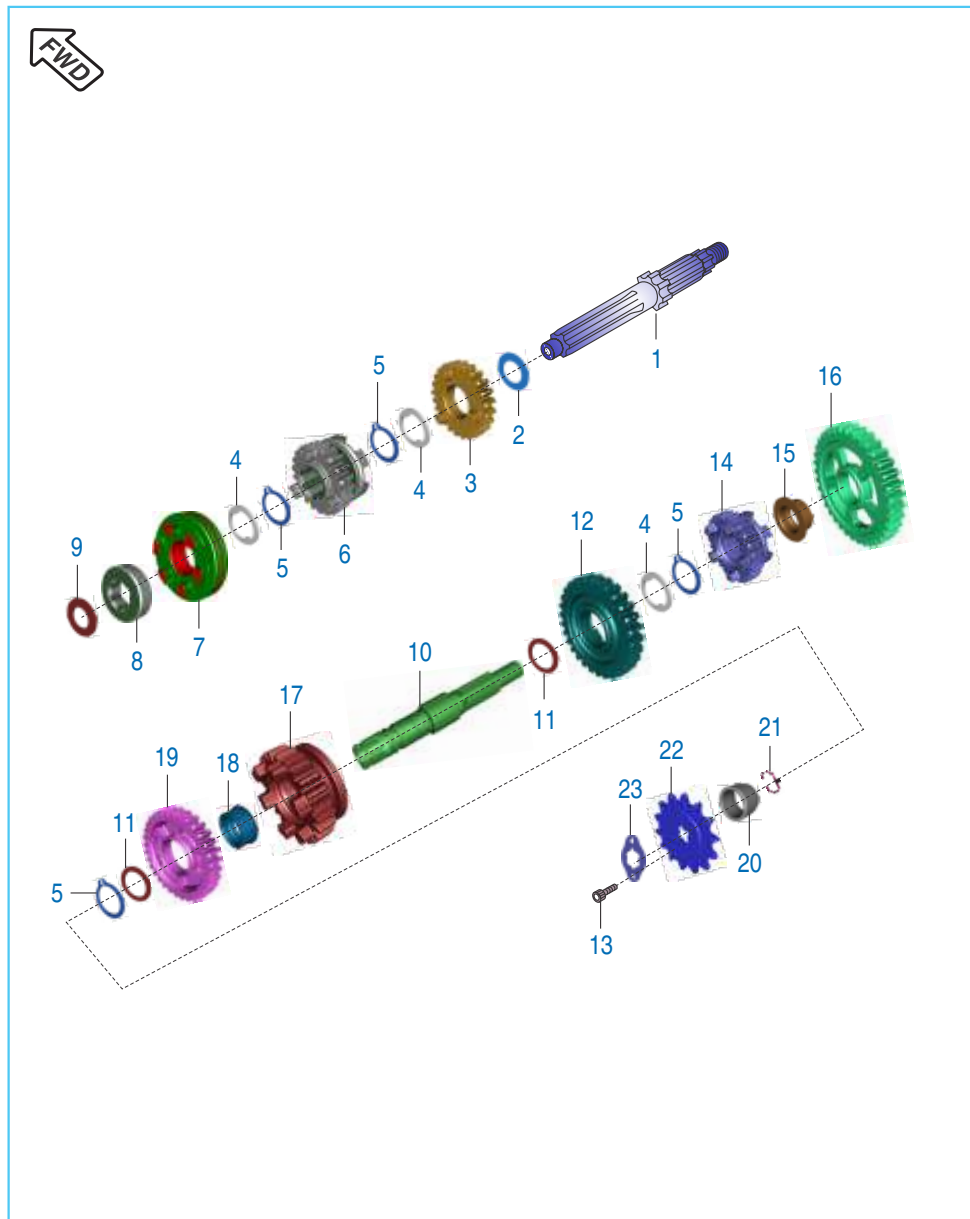
No.	Part No.	Description	Qty.	Remarks
1	JM 1010 08	Crankshaft assly. comp.	1	
2	39 2183 04	Bolt	1	
3	39 2165 11	Plain washer	1	
4	31 1011 73	Key woodruff	1	
5	DS 1011 54	Parallel key	1	
6	39 1931 20	Bearing Ball	2	
7	36 DK00 07	Kit centrifugal over screw oil filter	1	Refer Page No. 106
8	39 2203 07	Parallel pin	1	
9	36 DK00 38	Kit Gear Primary Drive & Driven	1	Refer Page No. 106
10	DH 1010 64	Body centrifugal oil filter	1	
11	DH 1011 95	Nut primary drive	1	
12	DH 1010 65	Cover centrifugal oil filter	1	
13	DK 1012 48	Sprocket Camshaft Drive	1	

Balancer & Balancer Idler Gear



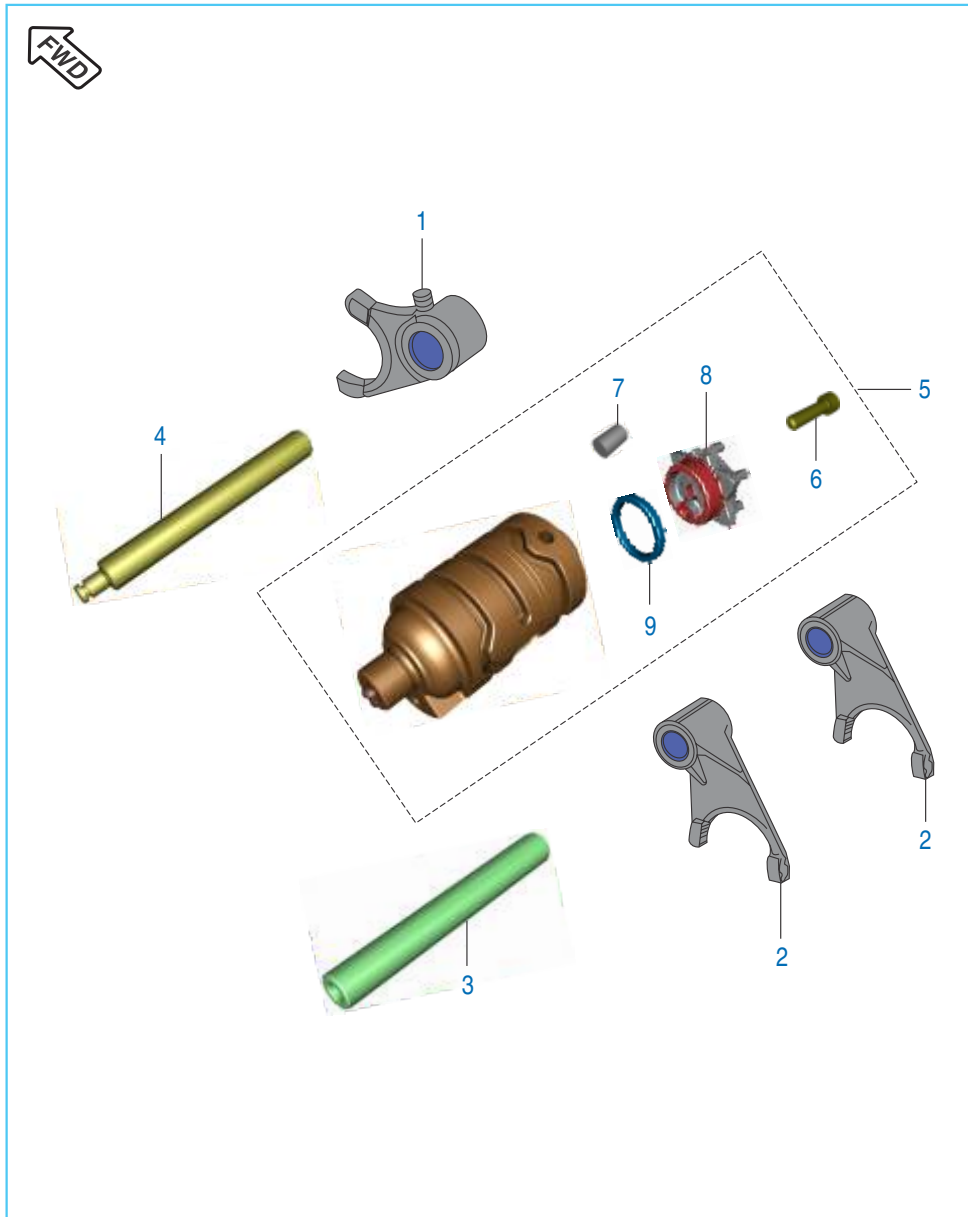
No.	Part No.	Description	Qty.	Remarks
1	DH 1021 04	Body Balancer Assly.	1	
2	DH 1010 72	Bearing stopper	1	
3	DH 1013 85	Bolt stopper	1	
4	DH 1020 53	Gear Complete Balancer Idler	1	
5	39 2152 20	Needle roller bearing	2	
6	DH 1014 24	Spring torsion Balancer	2	
7	39 2557 17	Circlip ext.	2	
8	39 1686 06	Dowel Pin	2	
9	39 1620 11	Spring steel washer (Plain Washer)	2	
10	52 DH01 77	Balancer Idler Holder	1	
11	39 1674 04	Hex bolt with flange	3	
12	59 2000 28	Bearing Balancer	1	

Transmission



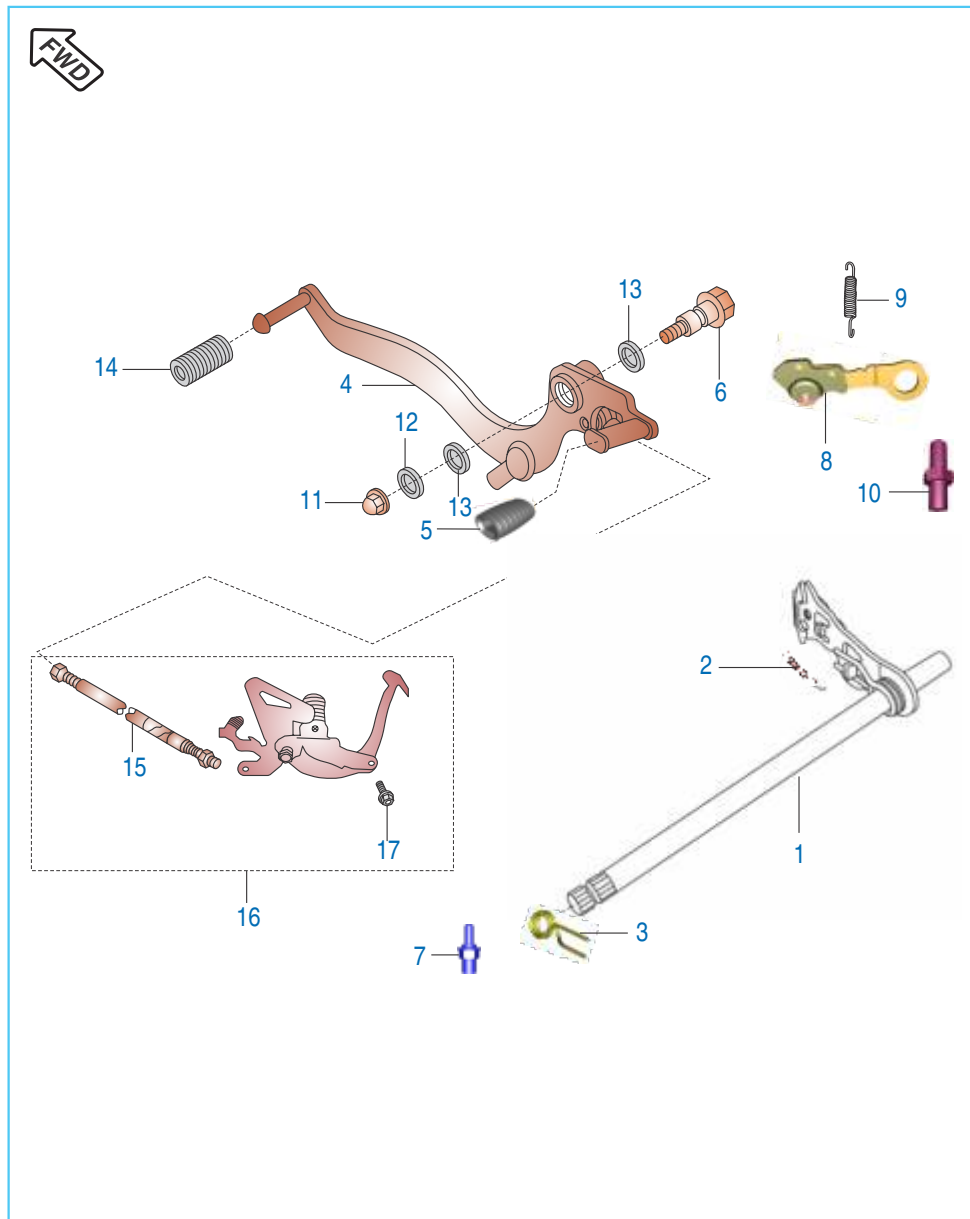
No.	Part No.	Description	Qty.	Remarks
1	PD 5510 33	Shaft Input Trans Sub Assly	1	
2	39 2158 11	Washer plain	1	
3	DK 1011 03	Gear 4th Drive	1	
4	DH 1010 79	Washer Spline	3	
5	DH 1012 35	External Circlip	4	
6	DK 1011 02	Gear 3rd Drive	1	
7	DK 1011 04	Gear 5th drive	1	
8	DH 1010 84	Gear 2nd drive	1	
	DH 1020 13	Gear 2nd drive	1	BS IV
9	39 2160 11	Plain washer	1	
10	DK 1011 44	Shaft Output Trans Sub Assly	1	
11	39 2166 11	Washer Plain	2	
12	DH 1011 08	Gear 3rd Driven	1	
13	AA 1014 37	Screw Pre - Coated	2	
14	PD 5512 03	Gear 4th Driven	1	
15	DH 1011 11	Bush 1st driven	1	
16	PD 5512 01	Gear 1st driven	1	
17	PD 5512 04	Gear 5th Driven	1	
18	DH 1013 19	Bush 2nd driven	1	
19	PD 5512 02	Gear 2nd Driven	1	
20	DK 1012 45	Collar Sprocket	1	
21	DK 1013 52	'O' Ring Sprocket Collar	1	
22	DV 1010 48	Sprocket Drive	1	
23	DJ 1010 63	Plate Drive Sprocket	1	

Change Drum / Shift Fork



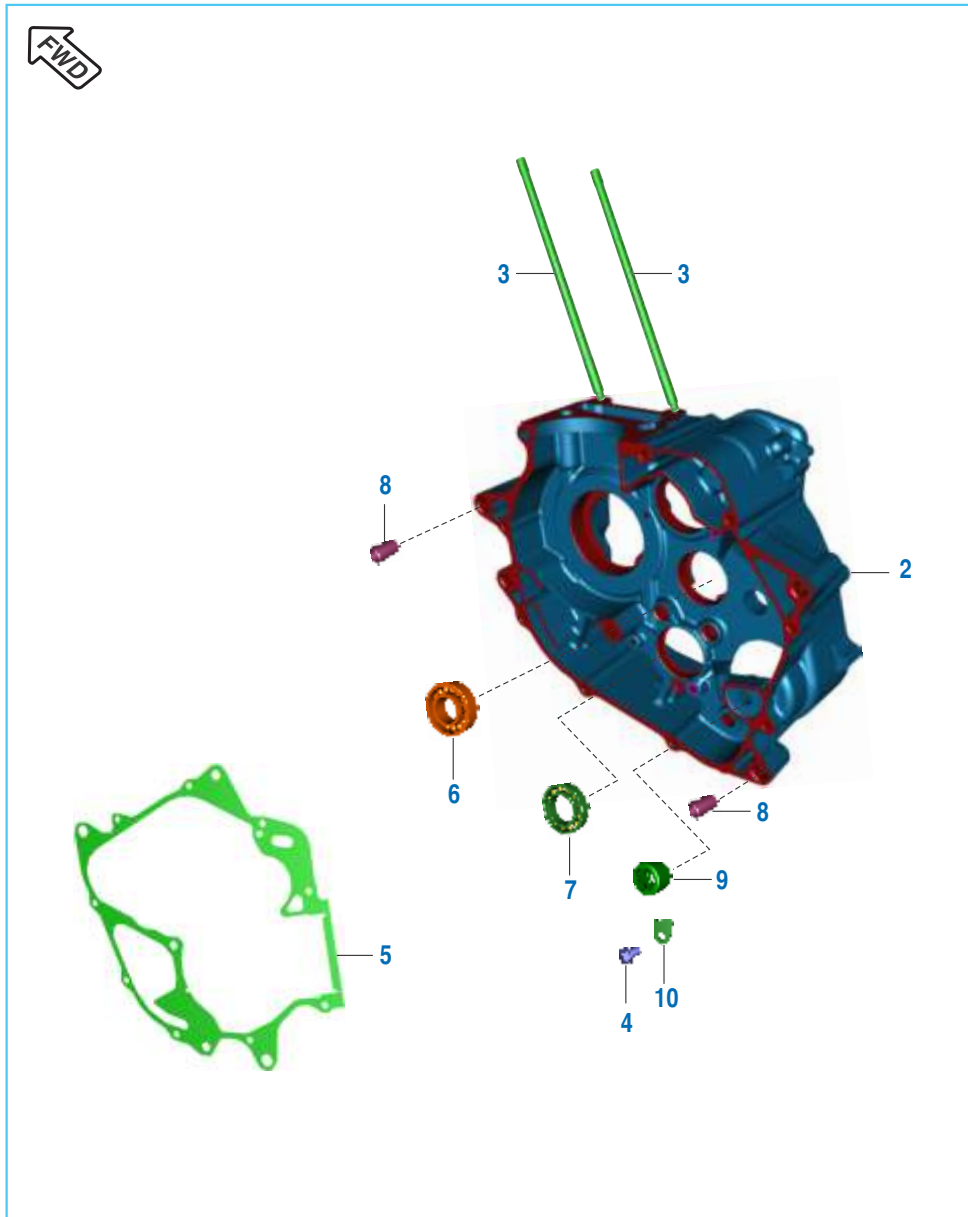
No.	Part No.	Description	Qty.	Remarks
1	DK 1011 59	Fork Gear Shift Input	1	
2	DK 1011 60	Fork Gear Shift output	2	
3	DH 1011 46	Shaft Gear Shift Fork	1	
4	DH 1014 93	Shaft Gear Shift Fork	1	
5	DK 1017 32	Assly Drum Comp. Gear Shift	1	
6	39 2639 04	Bolt Socket	1	
7	39 2606 07	Parallel pin	1	
8	DH 1021 89	Guide Gear Shifter	1	
9	DH 1014 96	Spacer	1	

Gear Change Mechanism



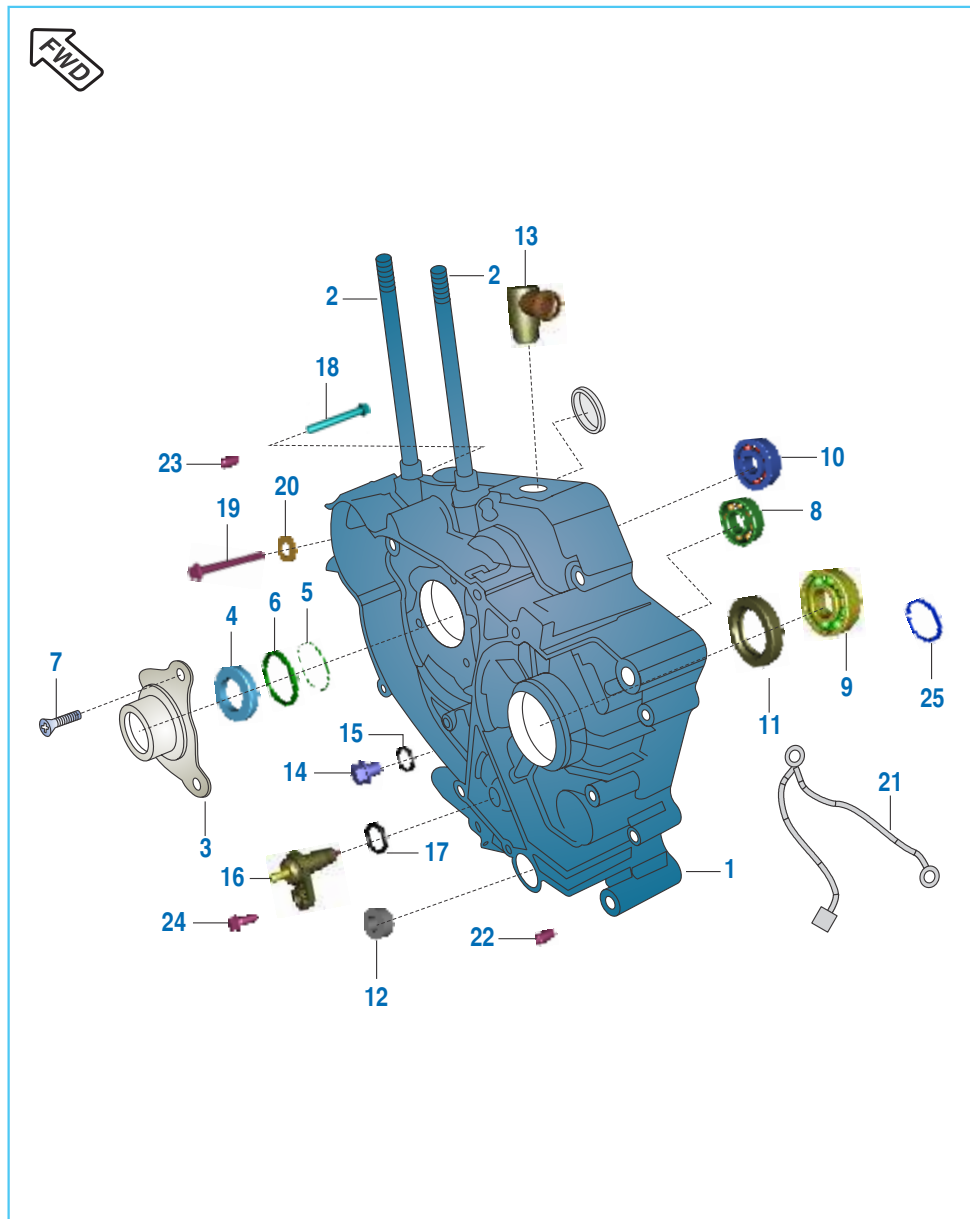
No.	Part No.	Description	Qty.	Remarks
1	DH 1017 05	Lever comp. Gear Shifter	1	
2	DH 1017 14	Spring Gear Shift	1	
3	DH 1011 44	Spring Gear Shifter return	1	
4	52 DV00 52	Lever comp. change	1	
	DV 1010 40	Lever Change	1	
5	DG 1013 39	Damper change pedal (Rear)	1	
6	DG 1011 87	Bolt Pivot lever	1	
7	DH 1013 93	Bolt Gear Shift drum Stopper	1	
8	DK 1017 25	Stopper Drum	1	
9	DK 1012 53	Spring gear shifter drum stopper	1	
10	DH 1013 94	Bolt shift change pre coated	1	
11	39 2228 15	Domed cap Nut	1	
12	39 2400 11	Washer	1	
13	39 1998 19	Oil Seal	2	
14	31 1011 08	Damper	1	
15	DV 1010 34	Rod assly. Tie	1	
16	52 DV00 51	Lever Assly. Change	1	
17	39 2354 04	Hex. Bolt / Flange	1	

Engine Assembly & Crankcase RH



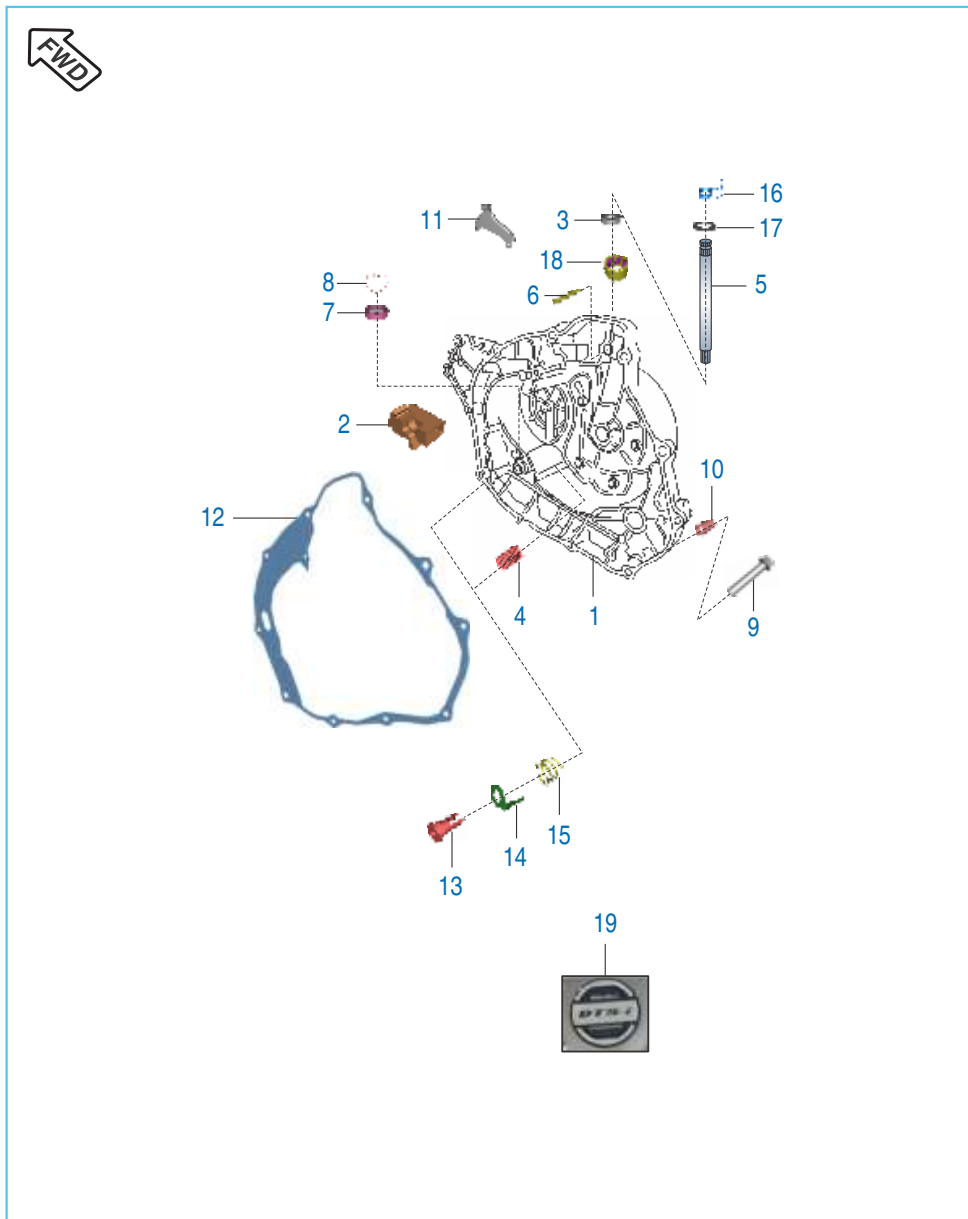
No.	Part No.	Description	Qty.	Remarks
1	PD 5010 09	Engine Assly	1	
	PD 5010 22	Engine Assly	1	BS IV
2	36 PD00 14	Kit Assly Crankcase RH	1	Refer Page No.105
3	59 0500 02	Stud	2	
4	AA 1014 37	Screw Pre - Coated	1	
5	DH 1018 96	Gasket Crankcase	1	
6	39 2583 20	Bearing Ball (For Input shaft)	1	
7	39 2601 20	Bearing Ball (For Output shaft)	1	
8	39 2180 06	Dowel Pin	2	
9	59 2000 27	NRB (Bearing NRB NK)	1	
10	DH 1014 87	Plate Stopper	1	

Crankcase LH

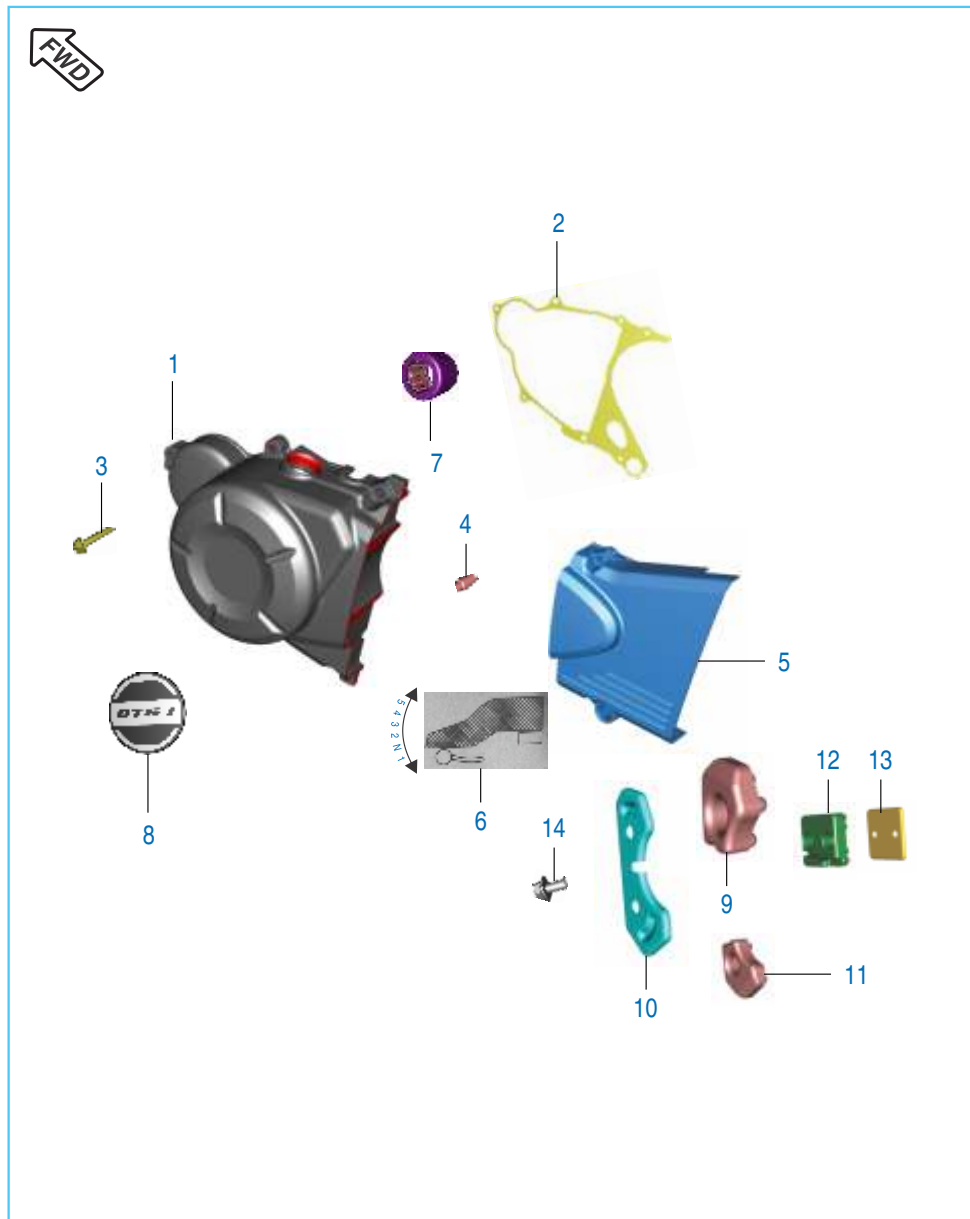


No.	Part No.	Description	Qty.	Remarks
1	36 PD00 13	Kit Assly Crankcase LH	1	Refer Page No.105
2	59 0500 02	Stud	2	
3	DK 1010 94	Guide starter assly	1	
4	39 2188 19	Oil Seal	1	
5	59 2100 06	'O' Ring	1	
6	DK 1010 97	Damper	1	
7	39 0752 01	C' Sunk Head Screw	3	
8	39 2603 20	Bearing Ball (For Input shaft)	1	
9	59 2000 06	Bearing Ball (For Output shaft)	1	
10	39 2185 20	Balancer LH Bearing	1	
11	30 1010 14	Oil Seal (For Output shaft)	1	
12	39 2190 19	Oil Seal (For Shift lever)	1	
13	DH 1012 03	Breather pipe fitting	1	
14	DH 1016 61	Plug (Drain Bolt)	1	
15	31 1011 06	Washer (Gasket For Drain Bolt)	1	
16	DK 1013 80	Switch comp. (Neutral)	1	
17	KJ AB10 19	'O' ring	1	
18	39 1677 04	Bolt	8	
19	39 2305 04	Bolt	1	
20	39 2448 11	Plain Washer	1	
21	DJ 2010 21	Cable assly. (Battery to Earth)	1	
22	39 2180 06	Hallow dowel pin	2	
23	39 2181 06	Hallow dowel pin	2	
24	DH 1013 85	Bolt M6X16 (Neutral Switch)	1	

Cover Clutch

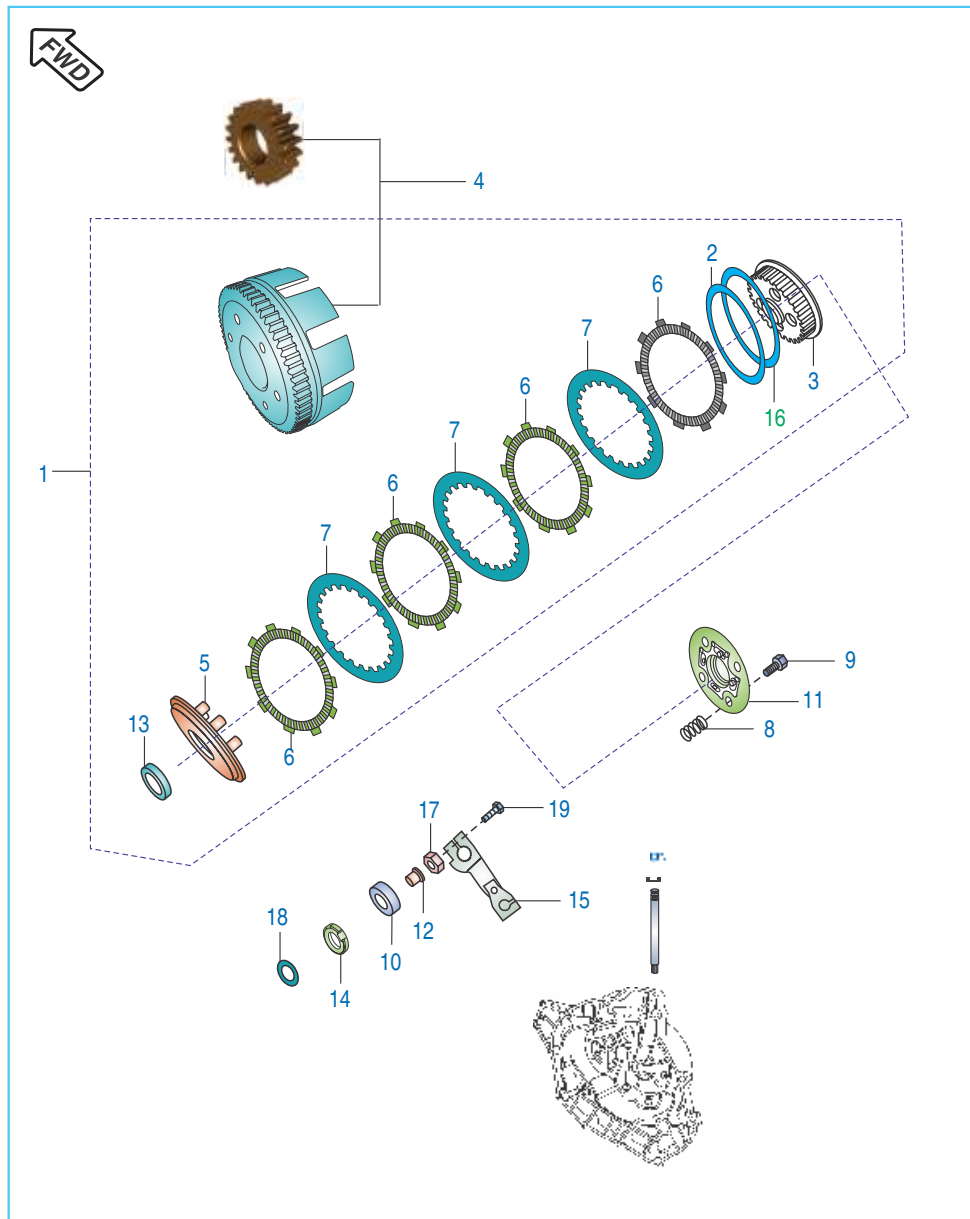


No.	Part No.	Description	Qty.	Remarks
1	36 DJ40 17	Kit Assly CI Cover	1	Refer Page No.105
2	DH 1011 97	Grommet Breather	1	
3	39 1041 19	Oil Seal	1	
4	DH 1011 41	Rack	1	
5	DH 1011 42	Shaft clutch release	1	
6	DK 1012 51	Parallel pin	1	
7	DG 1014 18	Gauge	1	
8	DS 1012 15	Wire circlip	1	
9	DS 1013 53	Bolt	10	
10	39 0999 06	Pin Dowel	2	
11	DH 1010 18	Bracket Clutch Cable	1	
12	DH 1011 54	Gasket cover RH	1	
13	DK 1014 80	Plunger Oil	1	
14	DH 1210 11	Plate Plunger Oil	1	
15	DH 1210 12	Spring Joint 'A'	1	
16	DH 1015 44	Spring torsion clutch lever	1	
17	39 2443 11	Washer	1	
18	39 1990 20	NRB (Bering Needle)	2	
19	DK 1017 38	Decal Clutch Cover	1	
20	DK 1013 38	Holder Clutch	1	



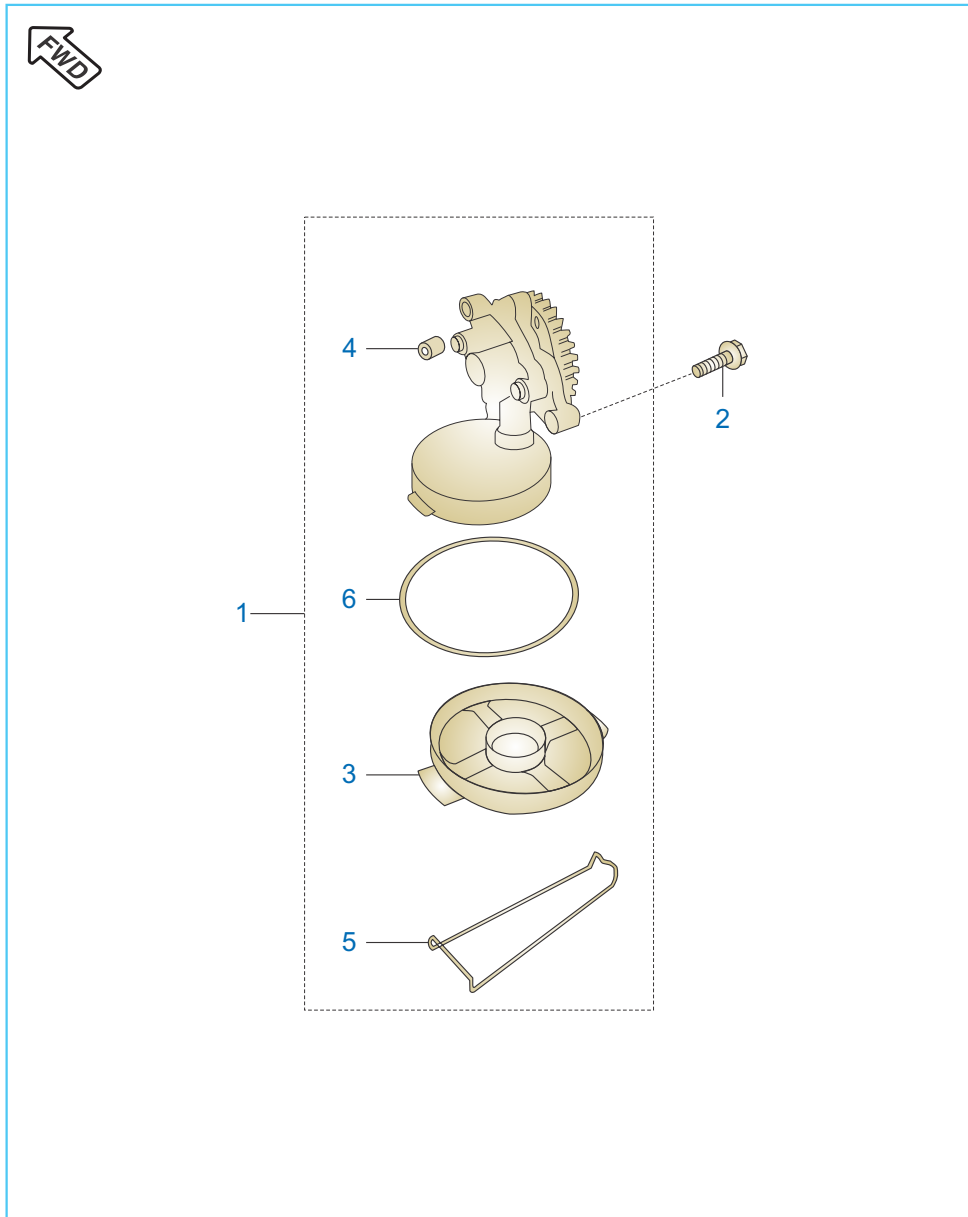
No.	Part No.	Description	Qty.	Remarks
1	52 PD01 35	Assly Cover Magneto	1	
2	DV 1010 42	Gasket Magneto cover	1	
3	39 1677 04	Bolt	8	
4	39 0999 06	Pin Dowel	2	
5	52 PD01 09	Assly Cover LH RR	1	
6	DJ 1612 28	Gear Shift Label	1	
7	AP 1010 43	NR bearing	1	
8	JE 5412 12	Decal Magneto Cover	1	
9	DH 1012 92	Damper A Cover LH RR	1	
10	DH 1012 93	Plate Damper A Cover LH RR	1	
11	DH 1012 94	Damper B Cover LH RR	1	
12	JM 1000 40	Damper C Cover LH RR	1	
13	JM 1000 41	Plate Damper Cover LH RR	1	
14	DH 1013 88	Bolt	4	

Clutch Assembly



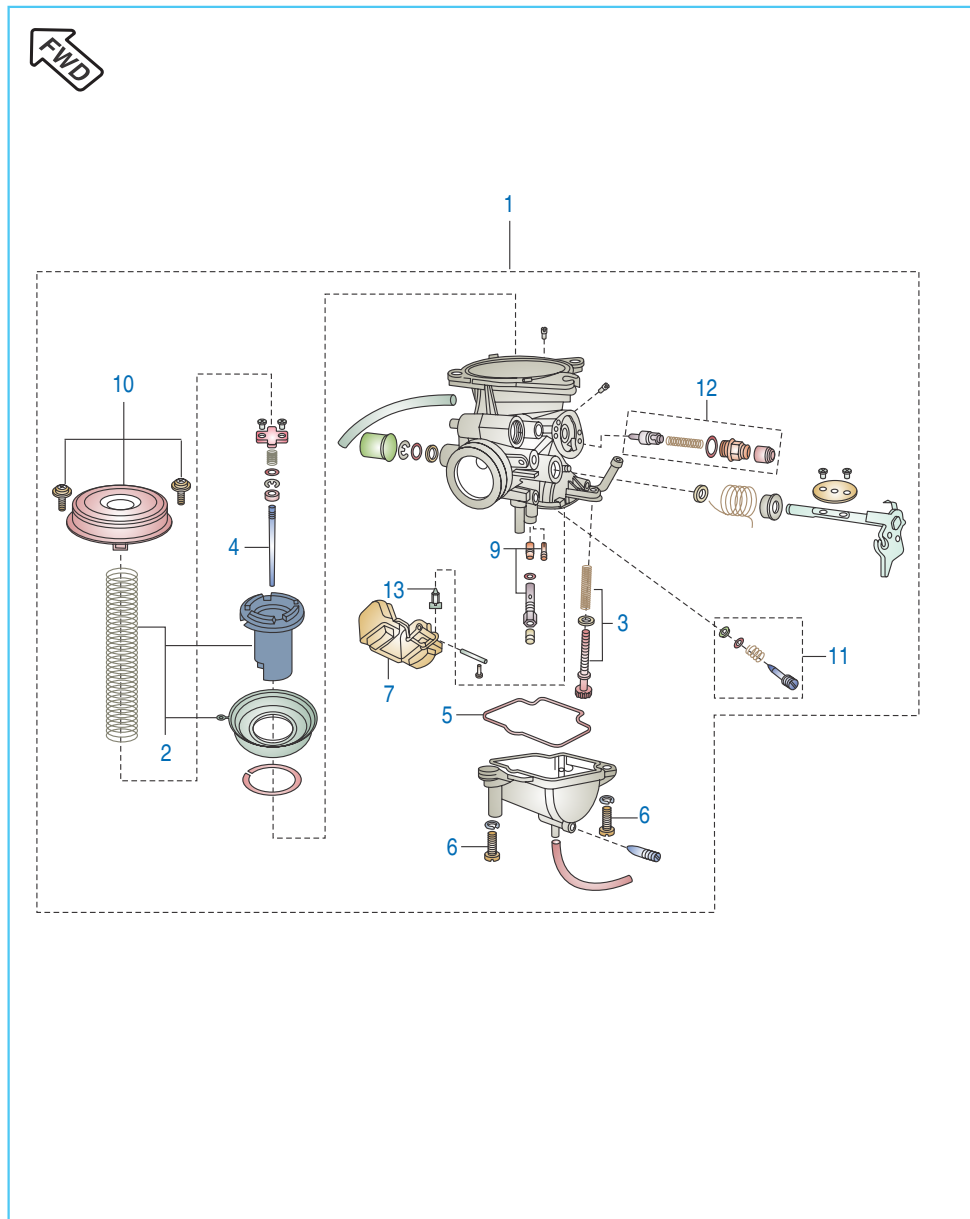
No.	Part No.	Description	Qty.	Remarks
1	PD 5514 00	Clutch assembly comp.	1	
2	DK 1015 71	Spring Judder	1	
3	DH 1018 62	Clutch Center	1	
4	36 DK00 38	Kit Gear Primary Drive & Driven	1	Refer Page No.106
5	DK 1015 69	Plate Clutch pressure	1	
6	36 PD00 55	Friction Plate Kit	1	
7	DK 1015 65	Plate Clutch	4	
	PD 5514 39	Plate Clutch	4	Modified-13.06.16
8	PD 5514 27	Spring Clutch	5	
9	DK 1015 74	Bolt	5	
10	39 2617 20	Bearing Clutch lifter thrust	1	
11	DK 1015 73	Holder Clutch (Plate Clutch Lifter)	1	
12	DH 1011 41	Rack Clutch Push	1	
	DK 1010 72	Clutch Lifter Rod	1	
13	DK 1011 26	Spacer Clutch	1	
14	DH 1016 48	Nut Primary drive lock	1	LH Thread
15	DK 1016 36	Lever Assly. Clutch	1	
16	DK 1015 70	Seat Judder Spring	1	
17	DH 1012 75	Nut	1	
18	39 2200 11	Washer	1	
19	39 1674 04	Bolt	1	

Oil Pump



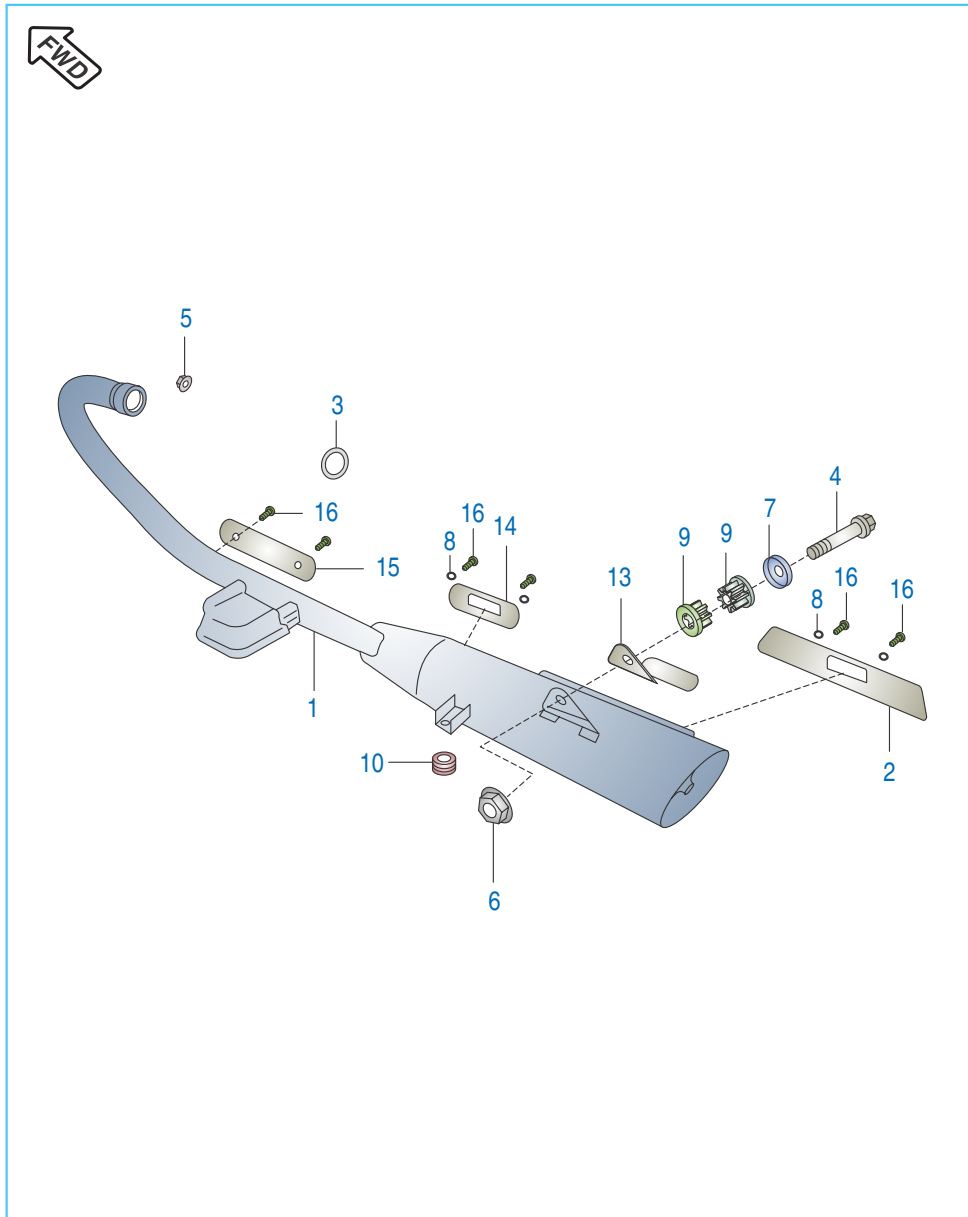
No.	Part No.	Description	Qty.	Remarks
1	52 DH01 69	Oil Pump Assly	1	
2	39 1674 04	Hex. Bolt with flange	3	
3	DH 1210 10	Mesh filter Oil pump	1	
4	39 1686 06	Hollow dowel pin	1	
5	DH 1210 35	Clip Mesh Oil filter	1	
6	39 2194 21	'O' Ring	1	

Carburettor



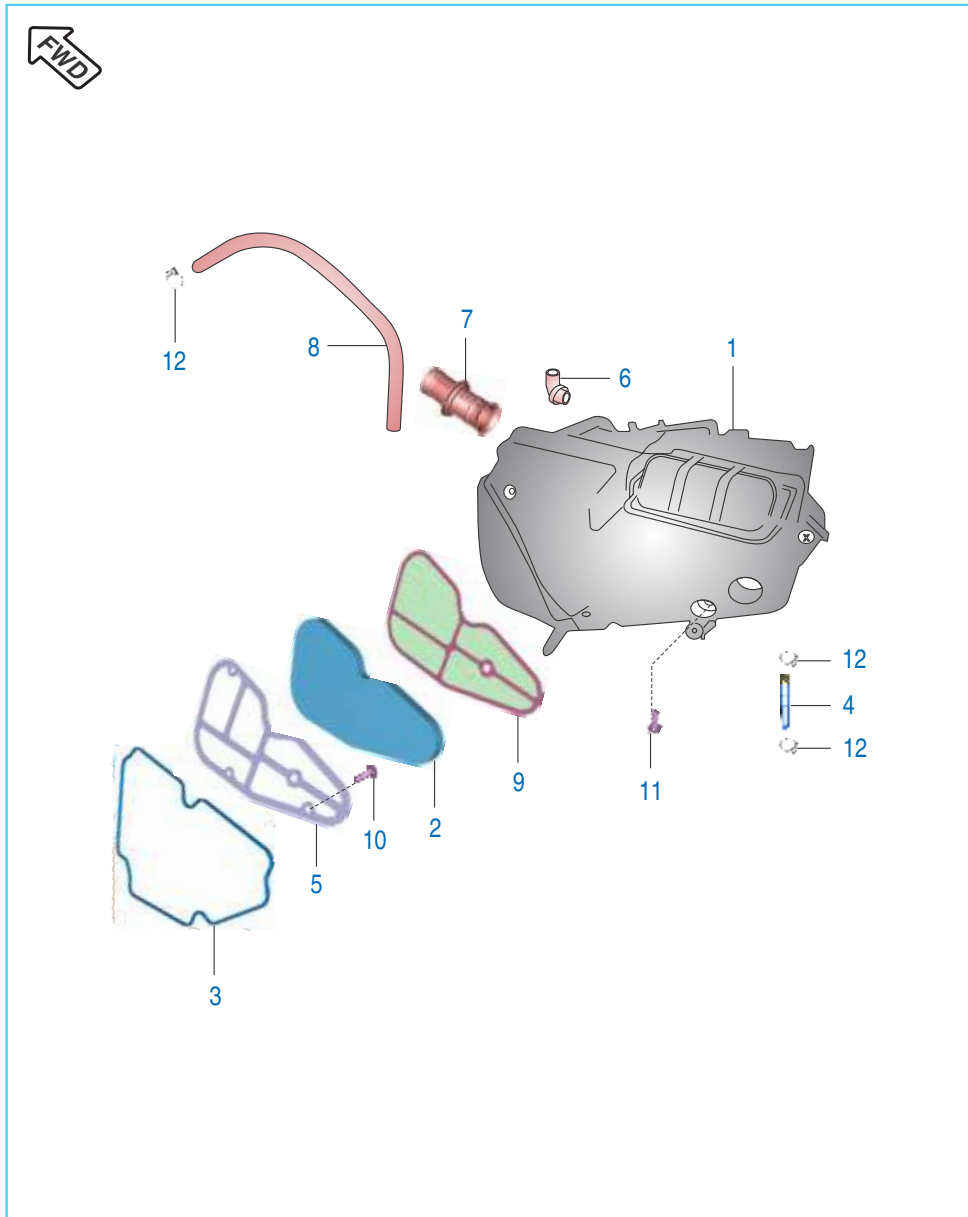
No.	Part No.	Description	Qty.	Remarks
1	PD 5812 15	Carburettor Assly.	1	
	PD 5812 17	Carburettor Assly.	1	BS IV
2	36 PD00 34	Vacuum Piston Kit	1	
3	DH 1211 68	Idling Screw Kit	1	
4	DH 1211 73	Jet Needle(jn)	1	
5	DH 1210 57	"O" Ring	1	
6	JA 5812 33	Screw	2	
7	DH 1211 62	Float Assly.	1	
8	36 PD00 33	Jet Kit	1	
9	DH 1211 67	Float Body Assly Kit	1	
10	DH 1211 70	Top Cap Assly Kit	1	
11	DH 1211 69	Pilot Screw	1	
12	DJ 1210 59	Plunger Assembly	1	
13	DH 1210 93	Needle Assembly	1	

Silencer Assembly



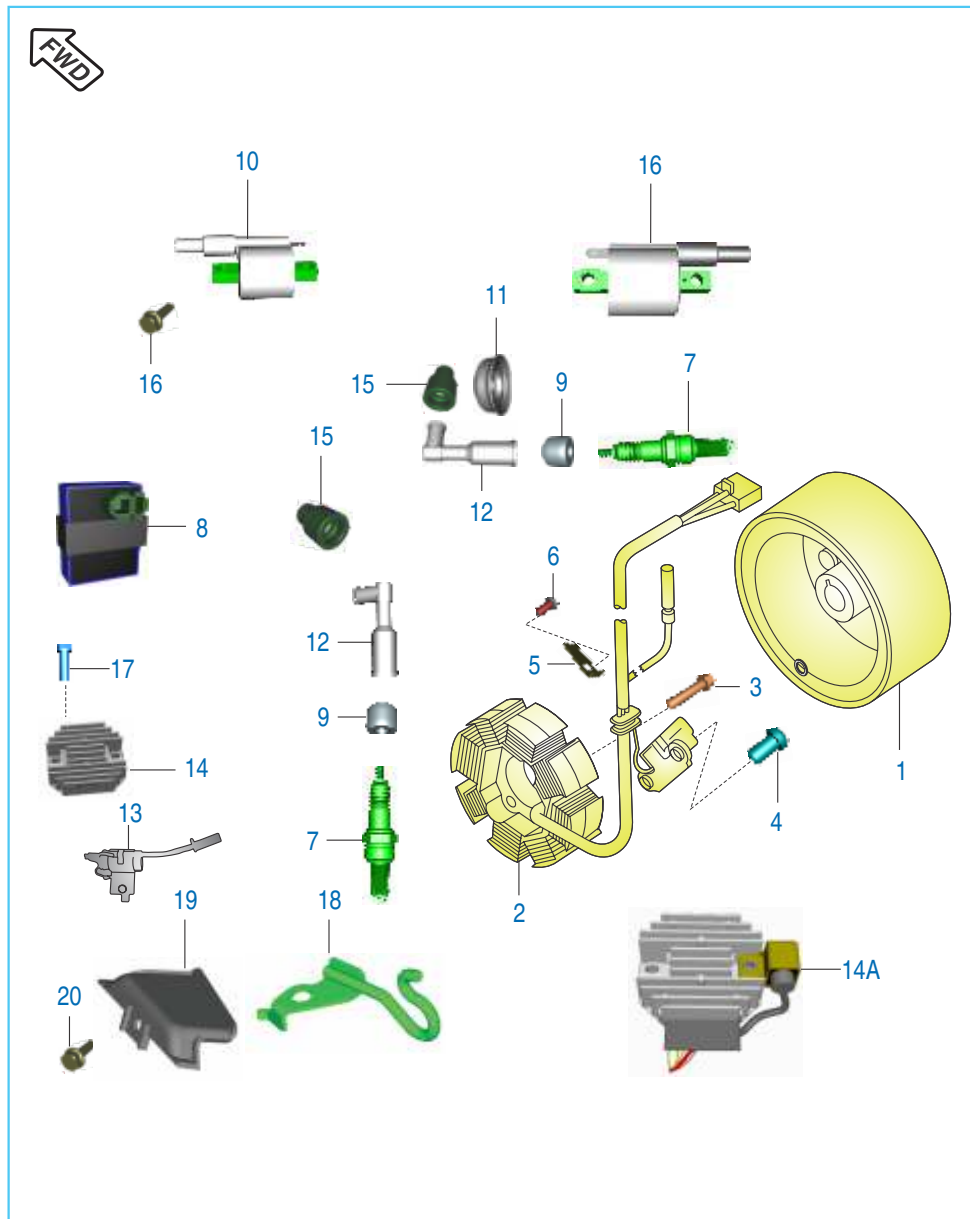
No.	Part No.	Description	Qty.	Remarks
1	YP D020 01	Silencer without Shields	1	
2	JM 1010 27	Shield Exhaust Rear	1	
3	DG 1014 17	Gasket Exhaust	1	
4	DG 1012 85	Bolt	1	
5	39 2228 15	Domed cap Nut	2	
6	39 1225 15	Nut flanged	1	
7	DG 1012 49	Washer	1	
8	PD 5911 00	Washer Shield	4	Shield Mounting
9	DG 1014 19	Bushing Rubber	2	
10	DG 1611 24	Damper	1	
11	39 2492 11	Plain Washer	1	Exhaust chamber
12	39 2754 04	Bolt	1	Exhaust chamber
13	PD 2312 04	Guard Muffler	1	
14	JM 1010 22	Shield Exhaust Front	1	
15	PD 5910 23	Shield Exhaust Rider	1	
16	PD 5911 01	Truss Screw	6	Shield Mounting

Air Cleaner



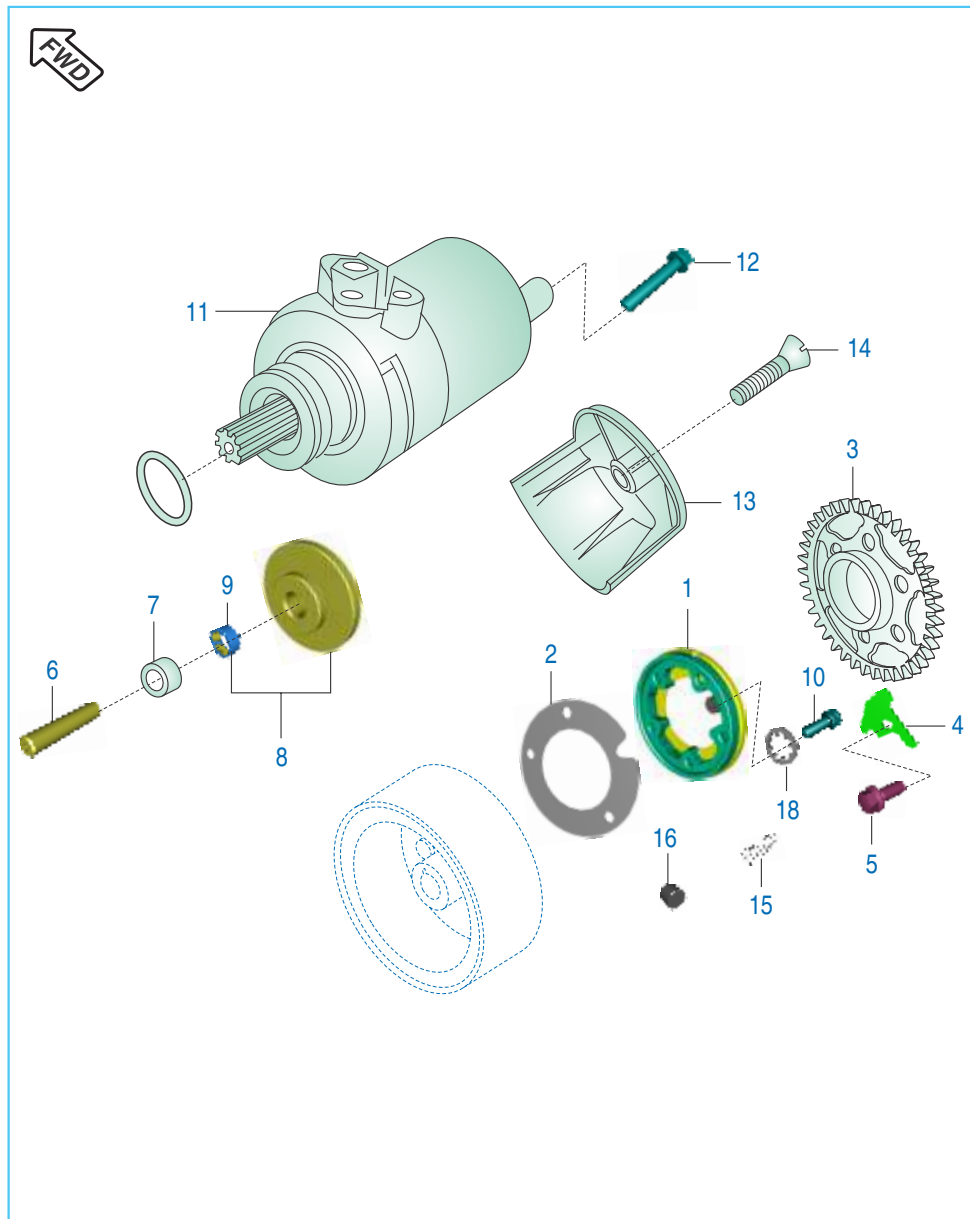
No.	Part No.	Description	Qty.	Remarks
1	PD 5810 13	Air Filter Assly.	1	
	PD 5810 33	Air Filter Assly.	1	BS IV
2	36 PD00 81	Kit air filter element & cover 'O' ring	1	
3	DG 1210 12	Gasket Air filter	1	
4	DV 1010 59	Tube Drain Air Filter	1	
5	DG 1210 14	Plate Element	1	
6	PD 5810 09	Tube Breather	1	
7	JM 1010 17	Connecting tube	1	
8	DG 1210 20	Tube Drain	1	
9	DG 1210 23	Flame Arrester	1	
10	39 2044 01	Screw	5	
11	39 2044 01	Screw	5	
12	JK 5110 02	Clamp	2	
13	DG 1210 02	Clamp	1	
14	DS 1211 26	Plug	1	

Magneto, CDI, Spark Plug & H.T. Coil



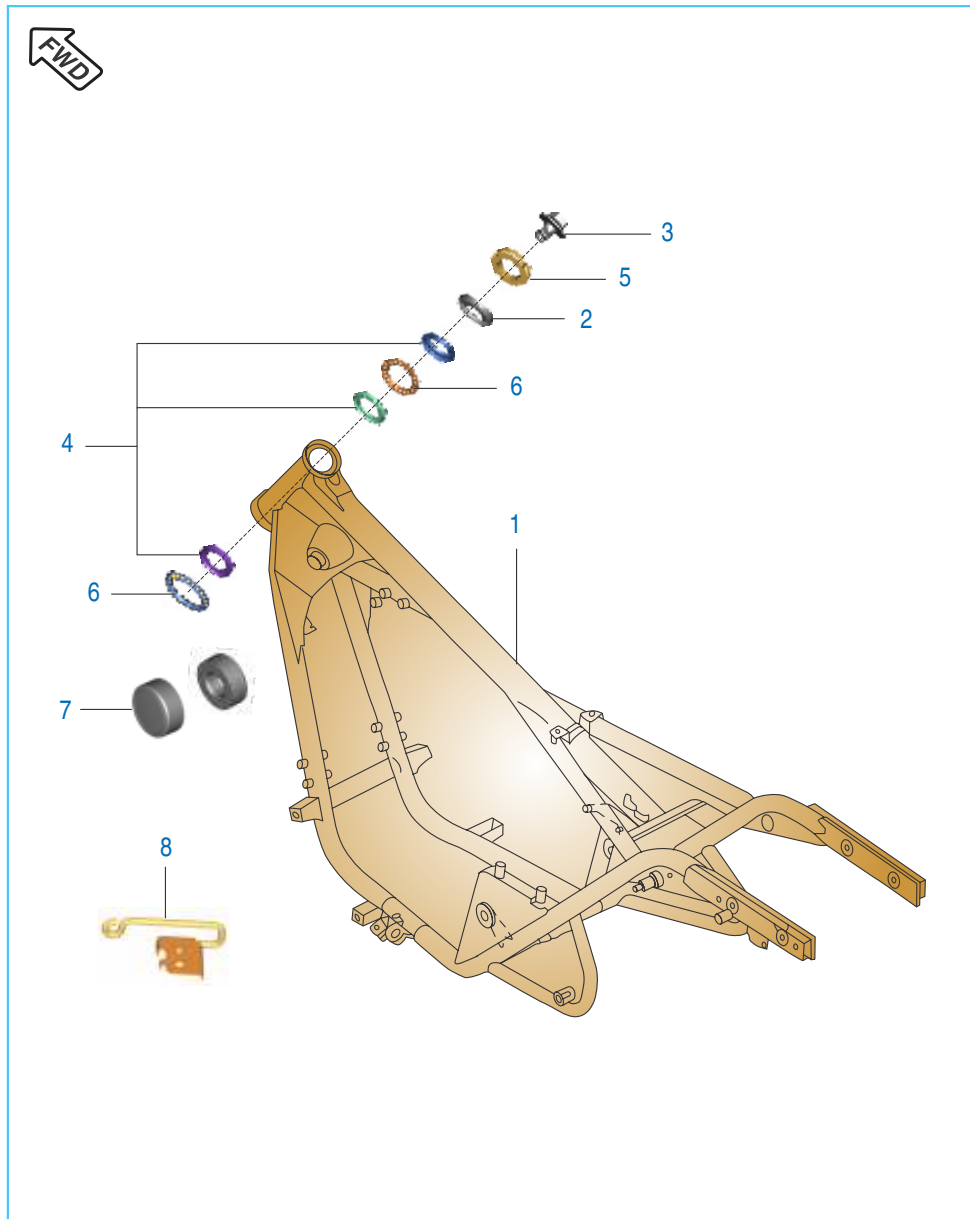
No.	Part No.	Description	Qty.	Remarks
1	JC 1110 28	Rotor	1	
2	PD 3510 02	Stator Assly. comp	1	
3	39 1674 04	Hex. Bolt with Flange	1	
4	DH 1013 81	Pan Head Screw	2	
5	DH 1011 99	Stopper plate (wiring harness)	1	
6	DH 1013 80	Screw Pan head	1	
7	DG 1110 08	Spark plug	2	
8	PD 3512 15	C.D.I Assly. / Damper	1	
9	DH 1110 13	Grommet Spark Plug cap	2	
10	PD 3512 20	H.T. Coil With Cable LH	1	
	PD 3512 35	H.T. Coil With Cable LH	1	BS IV
11	DH 1110 16	Grommet Sleeve Spark Plug	1	
12	AP 1110 12	Cap Spark Plug	2	
13	PD 4020 02	Capacitor with bracket	1	
14	PD 4020 04	Regulator Voltage	1	
14A	PD 4020 05	Regulator DC 3 Phase	1	AHO Model
15	DD 1110 12	Grommet H.T. Cable	2	
16	PD 3512 22	H.T. Coil With Cable RH	1	
	PD 3512 37	H.T. Coil With Cable RH	1	BS IV
17	39 19500 4	Bolt	2	
18	PD 5111 29	Bracket HT Cable	1	BS IV
19	PD 1138 07	Cover Regulator	1	BS IV
20	KA EA06 10	Bolt Flanged	1	BS IV

Starter Motor & Starter Assembly



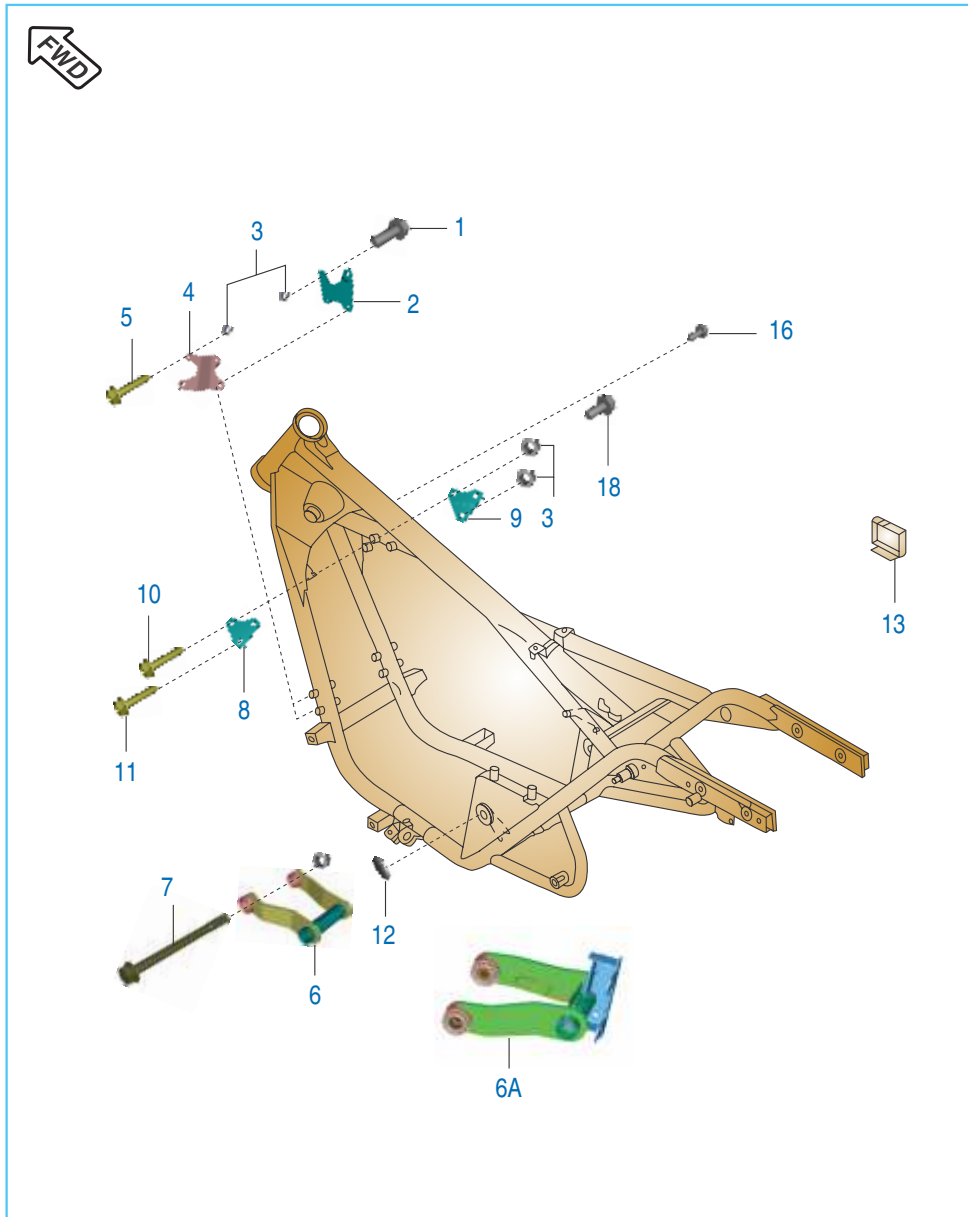
No.	Part No.	Description	Qty.	Remarks
1	36 DK00 76	Body comp. starter clutch	1	
2	DK 1016 05	Plate roller clutch	1	
3	JC 1011 14	Gear starter clutch	1	
4	DH 1015 81	Plate starter clutch gear return	1	Stopper plate
5	DH 1013 85	Bolt	1	For stopper plate
6	DK 1011 76	Shaft starter counter	1	
7	DH 1011 72	Collar starter counter	1	
8	JC 1011 15	Gear comp. starter counter assly.	1	
9	59 2000 07	Needle roller bearing	1	
10	39 0972 04	Bolt socket M6	3	
11	DH 1110 84	Starter Motor	1	
	DH 1111 14	Starter Motor Assembly - 325 W	1	
12	DS 1013 53	Bolt	2	
13	52 DH01 53	Cover starter motor	1	
14	DH 1013 89	Slotted c'sunk screw	1	
15	36 DK00 77	Kit Spring comp st. clutch	1	
16	DH 1011 63	Roller	5	
17	36 DK00 45	Molicoat grease	1	N.I.
18	39 0849 14	Star Washer	3	

Frame & Frame Fittings



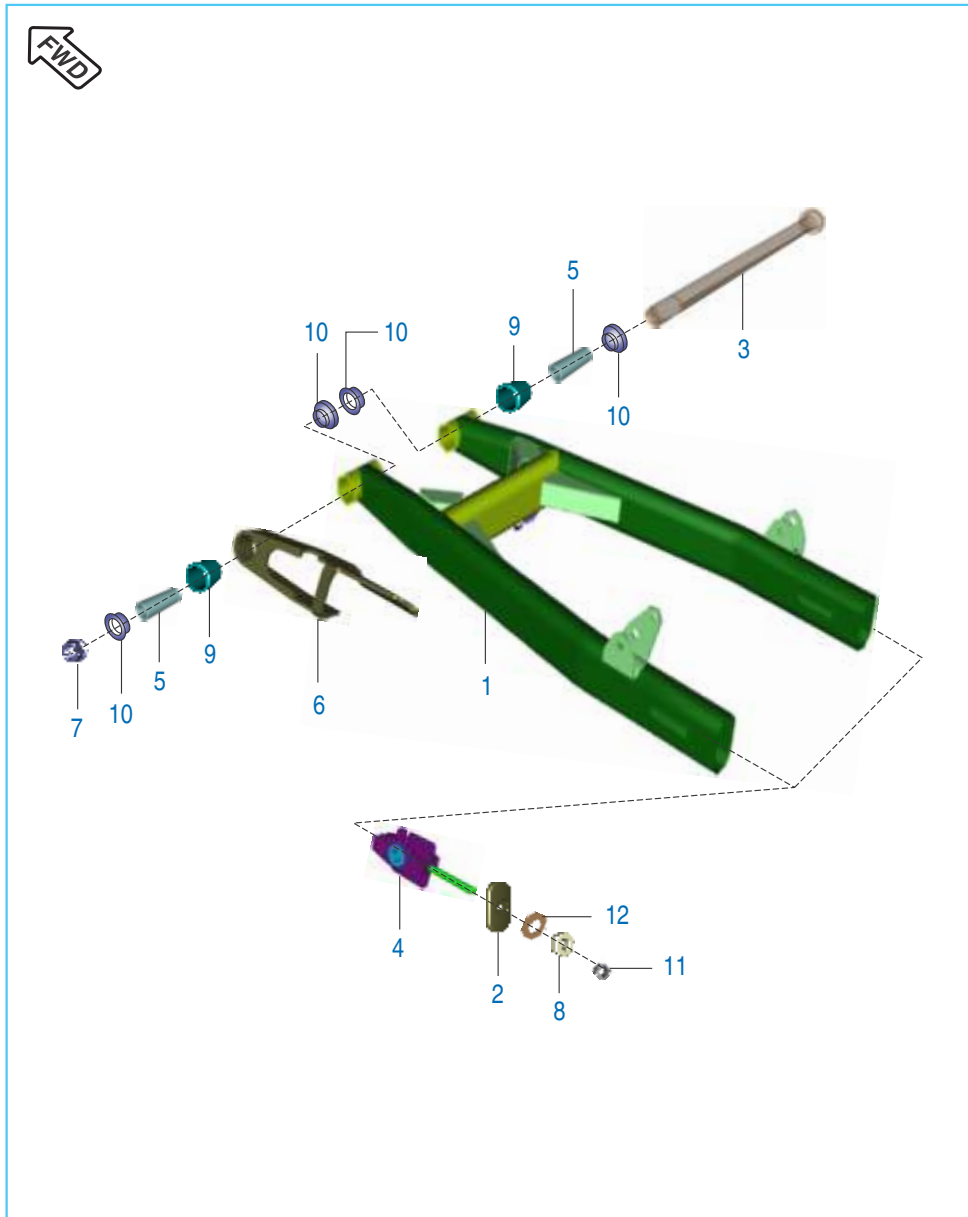
No.	Part No.	Description	Qty.	Remarks
1	PD 1110 36	Frame Assembly comp.	1	
	PD 1110 41	Frame Assembly	1	BS IV
2	PD 1510 06	Cap Steering	1	
3	59 0400 05	Bolt With Washer M16 x 28L	1	BS IV
4	36 DV00 07	Steering Cone Kit	1	Refer Page No.106
5	DG 1810 48	Nut	1	
	DK 1810 75	Steering Nut	1	BS IV
6	30 1012 36	Ball Steel	39	
7	DF 1411 28	Damper	2	
8	PD 1138 14	Bracket Throttle Cable Routing	1	BS IV
9	KB UC06 14	Screw Truss	1	BS IV

Frame Fitting



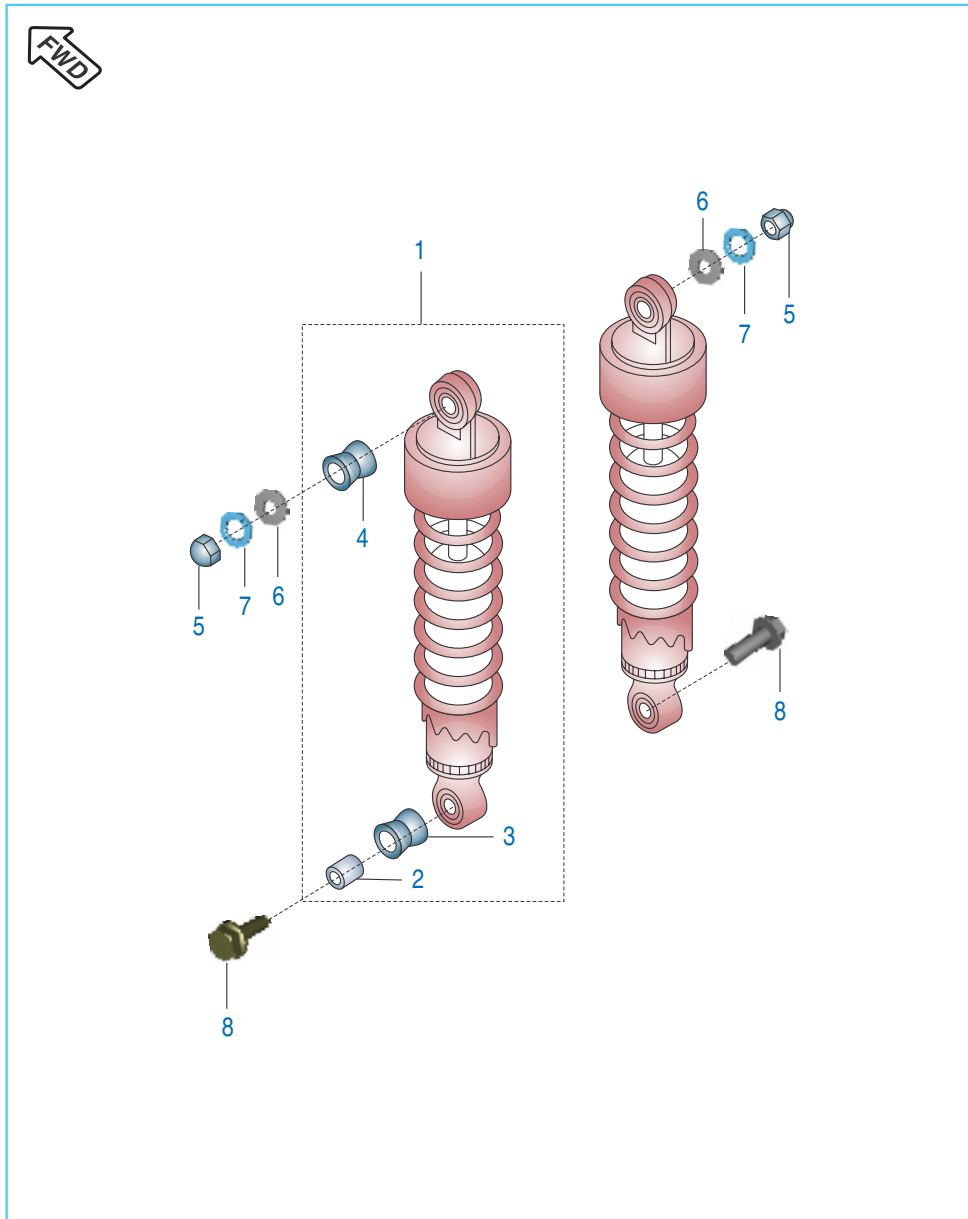
No.	Part No.	Description	Qty.	Remarks
1	59 0400 42	Bolt, Flanged	1	
2	JM 1610 03	Bracket, Engine Mtg. Front RH	1	
3	39 1970 15	Hex Nut	11	
4	JM 1610 02	Bracket, Engine Mtg. Front LH	1	
5	39 1967 04	Bolt	4	
6	JM 1610 23	Bracket, Engine Rear	1	
6A	PD 1134 13	Bracket, Engine Rear	1	BS IV
7	59 0400 43	Bolt, Allen	1	
8	PD 1134 10	Bracket, Engine Top LH	1	
9	PD 1134 11	Bracket, Engine Top RH	1	
10	39 2455 04	Bolt	4	
11	39 2157 04	Bolt	1	
12	DG 1611 54	Cap, Pivot	2	
13	DG 1611 65	Cap, Tool case	1	

Swing Arm



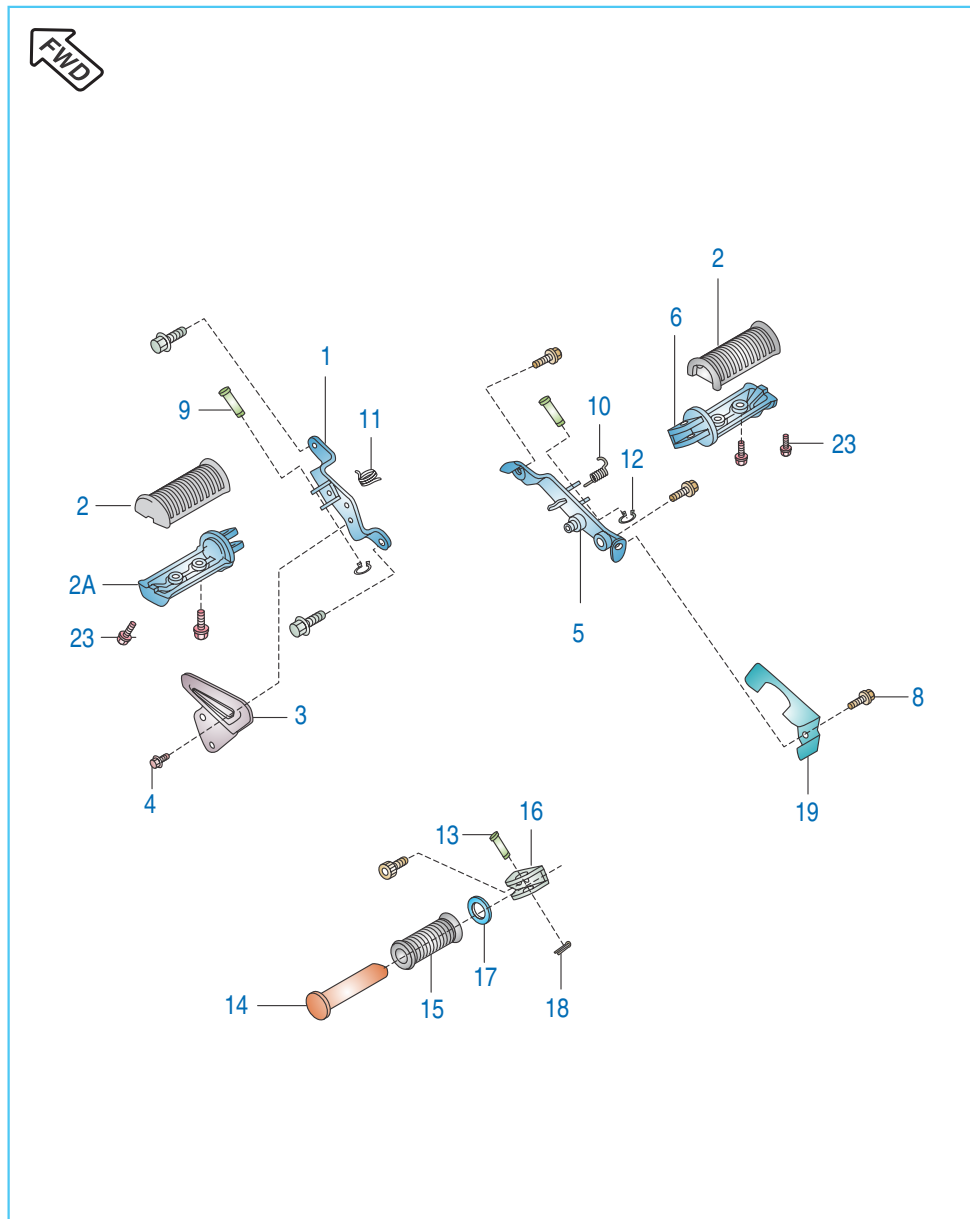
No.	Part No.	Description	Qty.	Remarks
1	PD 1220 00	Arm Comp. Swing	1	
2	JM 1710 04	Cap chain Adjuster	2	
3	DG 1710 15	Shaft Swing Arm	1	
4	JM 1710 03	Adjuster Chain	2	
5	DG 1710 16	Sleeve	2	
6	DG 1710 34	Guard, Chain	1	
7	39 1053 15	Nut - Hexagon With Flange - M14	1	
8	DG 1710 22	Nut	2	
9	DG 1710 18	Bearing Needle	2	
10	DG 1710 19	Seal Oil	4	
11	39 1997 15	Nut Hex small	2	
12	39 1224 11	Washer Plain small	2	

Rear Shock Absorber



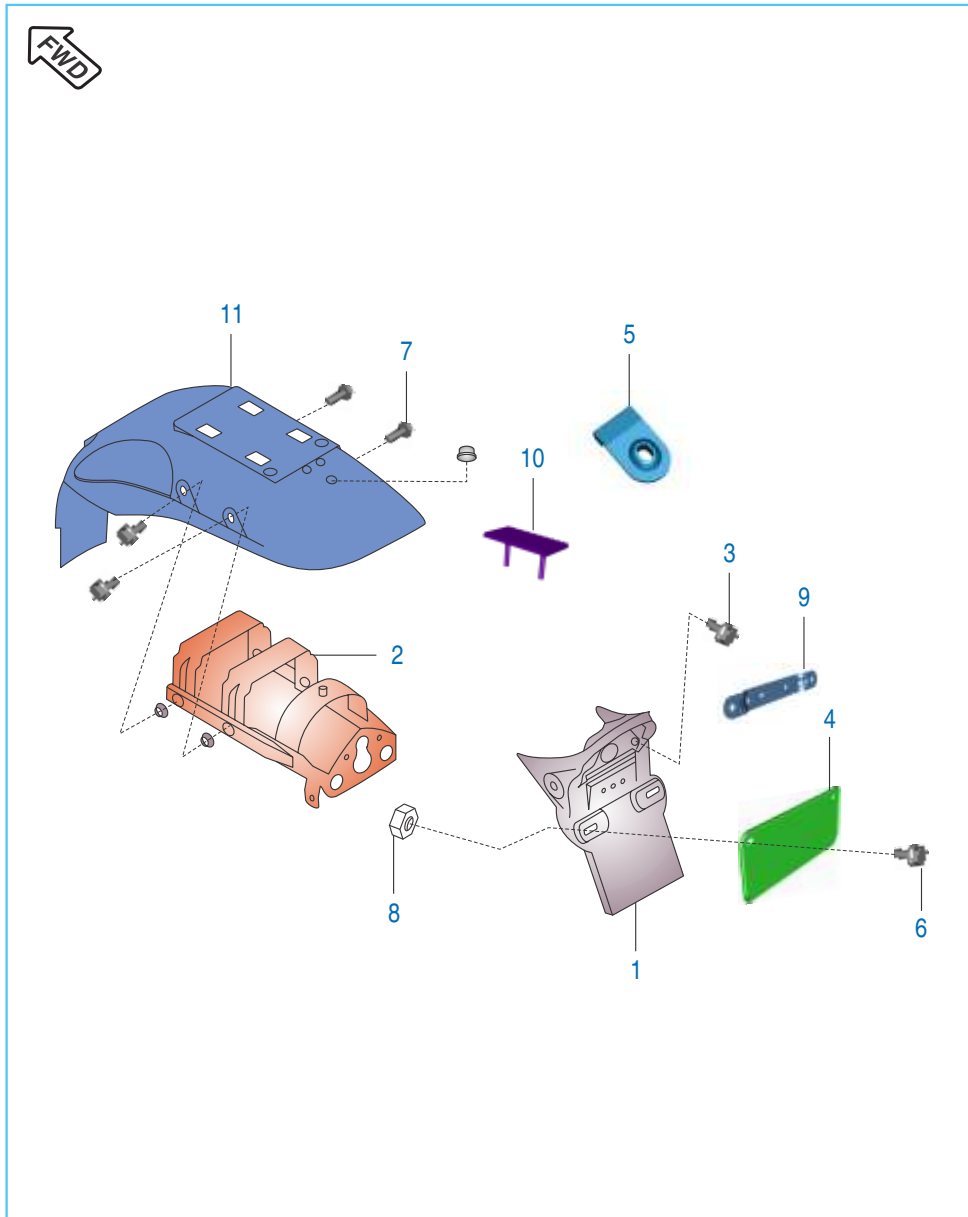
No.	Part No.	Description	Qty.	Remarks
1	PD 1220 05	Rear Shock Absorber	2	
2	DG 1710 35	Collar, shock Absorber	2	
3	DG 1710 37	Damper, Lower	2	
4	DG 1710 36	Damper, Upper	2	
5	DG 1710 39	Nut cap	2	
6	DG 1710 25	Washer	2	
7	39 1829 12	Spring Washer	2	
8	DG 1710 38	Bolt Flanged	2	

Foot Rest



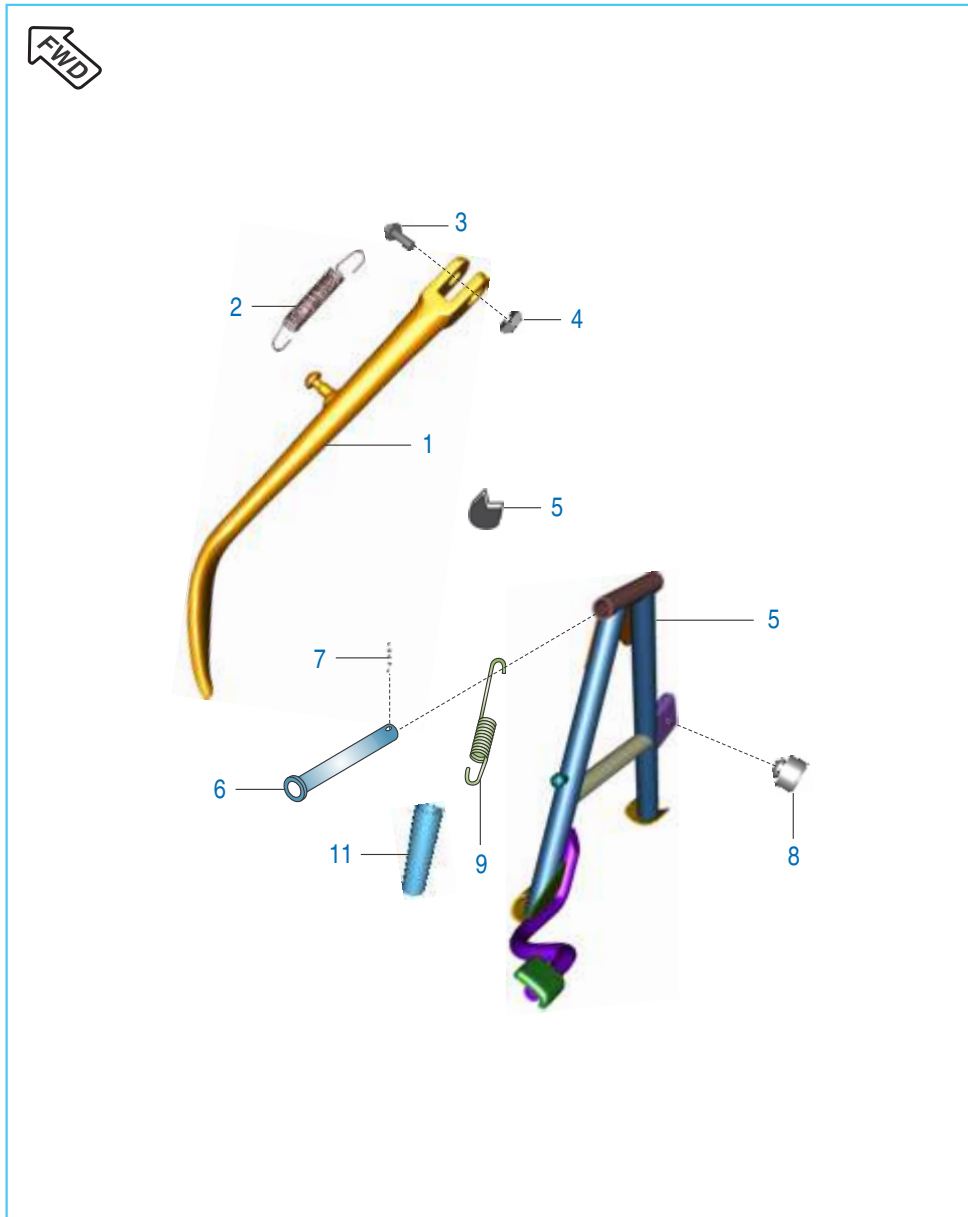
No.	Part No.	Description	Qty.	Remarks
1	DV 1610 46	Holder Step Front LH	1	
2	PD 1130 00	Footrest Rider LH - Avenger	1	
2A	PD 1130 03	Rubber Rider Step	2	
3	PD 2312 06	Guard Step LH	1	
4	39 2204 04	Bolt Flanged small	1	
5	JM 1610 37	Holder Step Front RH	1	
6	PD 1130 01	Footrest Rider RH - Avenger	1	
7	36 PD00 60	Kit Hardware Holder Step Front	1	
8	DG 1611 53	Bolt socket	2	
9	DG 1611 45	Pin	2	
10	36 DV00 05	Spring LH	1	
11	DG 1611 47	Spring RH	1	
12	39 1937 17	Circlip	2	
13	DG 1611 89	Pin	2	
14	PD 1130 02	Step Rubber Rear	2	
15	PD 1130 04	Rubber Main Step	2	
16	52 DV 00 24	Holder Step Rear RH	2	
	PD 1130 10	Bracket Pillion Step Holder With Stud	2	
17	DG 1611 50	Washer	2	
18	39 0146 08	Split Pin	2	
19	PD 2312 05	Guard Step RH	1	
20	39 2204 04	Bolt	1	
22	DG 1611 53	Bolt Socket	2	
23	KA CF06 12	Bolt	4	

Mudguard - Front & Rear



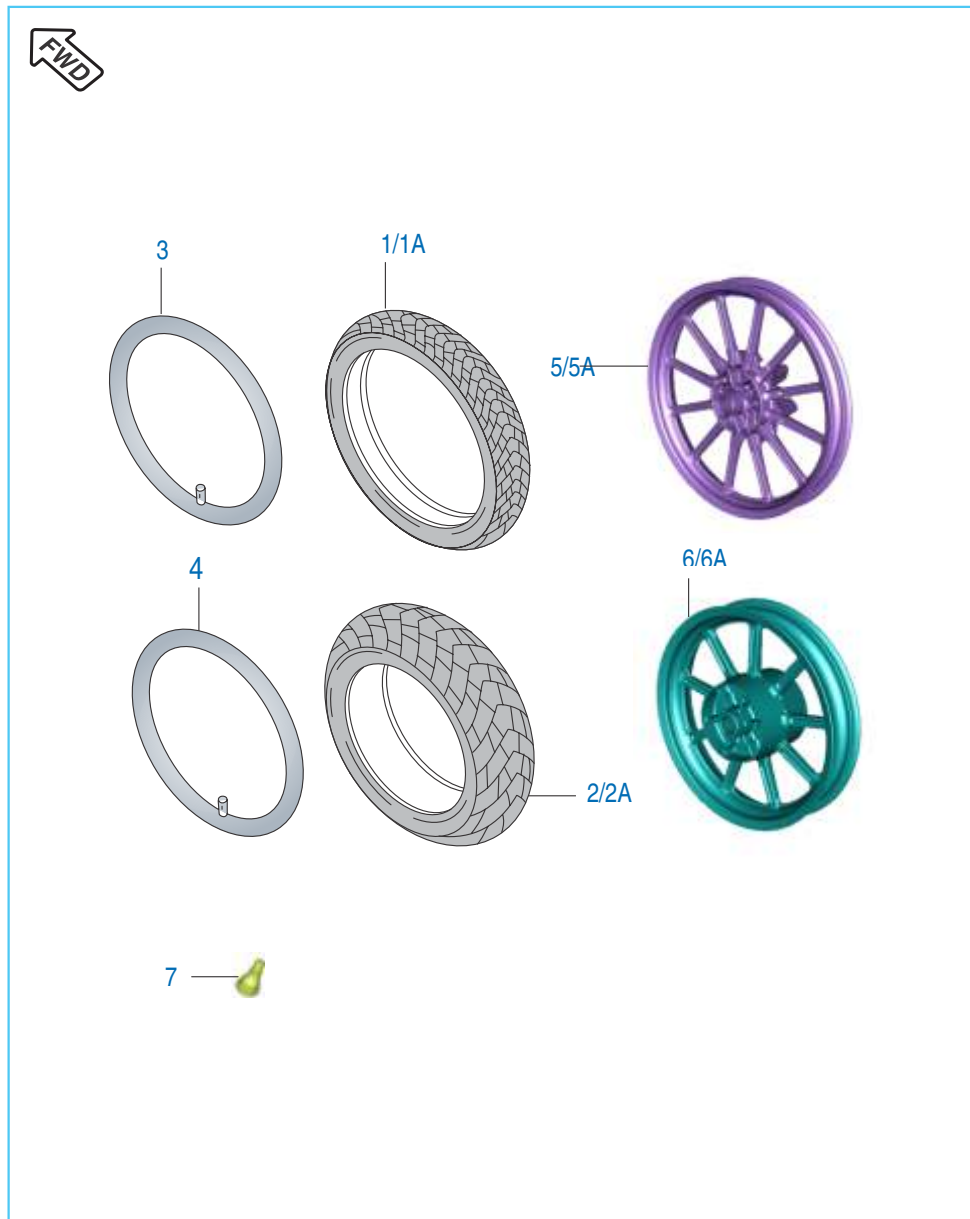
No.	Part No.	Description	Qty.	Remarks
1	DG 1612 67	Flap	1	
2	DG 1612 06	Stay rear fender	1	
3	DG 1611 10	Bolt	2	
4	DP 1611 45	Number Plate	1	
5	DG 1611 08	Damper	1	
6	39 1943 04	Hex. head Bolt	2	
7	DG 1611 13	Bolt	4	
8	KC GA06 06	Hex. Nut	2	
9	DZ 1612 65	Bkt. Rear Number Plate	1	
10	PD 1814 01	Damper Rear Mud Guard	1	
11	52 Dg02 68	Fender Rear	1	

Side Stand & Center Stand Assembly



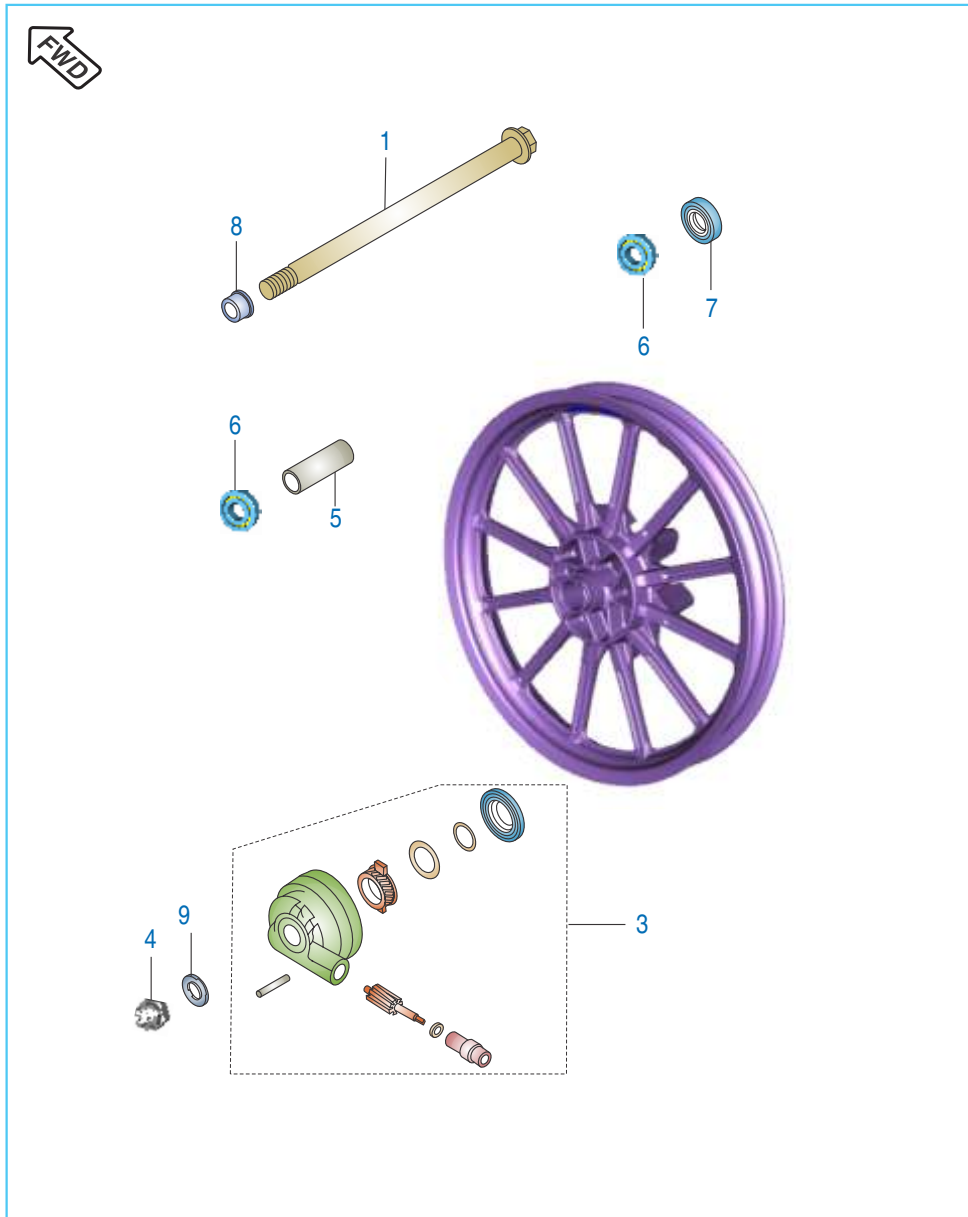
No.	Part No.	Description	Qty.	Remarks
1	DV 1610 17	Side Stand	1	
2	DG 1612 19	Spring	1	
3	DG 1611 29	Bolt	1	
4	DD 1610 71	Lock Nut	1	
5	DV 1610 33	Stand Centre	1	
6	DG 1612 30	Shaft Stand	1	
7	39 0797 08	Pin Cotter	1	
8	DG 1611 24	Damper	1	
9	DV 1610 60	Spring	1	
10	DG 1612 19	Spring	1	BS IV
10	39 2423 11	Plain washer	1	
11	DG 1612 76	Damper Side Stand	1	

Tyre, Tube & Wheel Rim



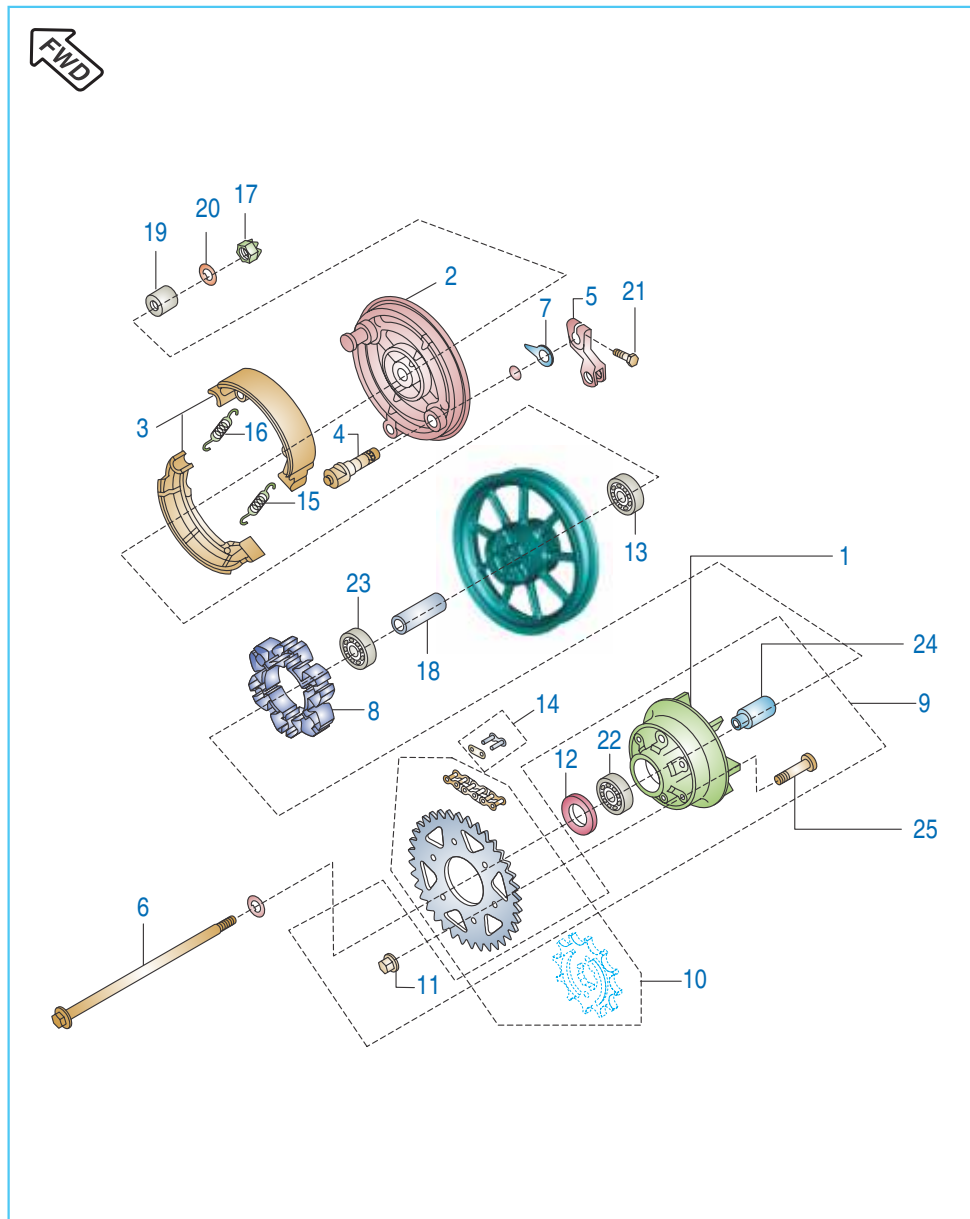
No.	Part No.	Description	Qty.	Remarks
1	DG 1510 97	Tyre Front	1	
1A	PD 1310 04	Tyre Front Tubeless 90/90-17 49P	1	BS IV-Tubeless
2	DG 1510 70	Tyre Rear	1	
2A	PD 1312 11	Tyre Rear Tubeless Rear 130/90-15 66P	1	BS IV-Tubeless
3	DG 1510 21	Tube for Tyre Front	1	
4	DG 1510 71	Tube for Tyre Rear	1	
5	52 PD01 50	Wheel Front 1.85X17	1	
5A	PD 1310 07	Wheel Front Tubeless	1	BS IV-Tubeless
6	52 PD01 51	Wheel Rear 2.50X15	1	
6A	PD 1312 18	Wheel Rear Tubeless	1	BS IV-Tubeless
7	DK 1510 26	Valve	2	BS IV-Tubeless

Front Hub



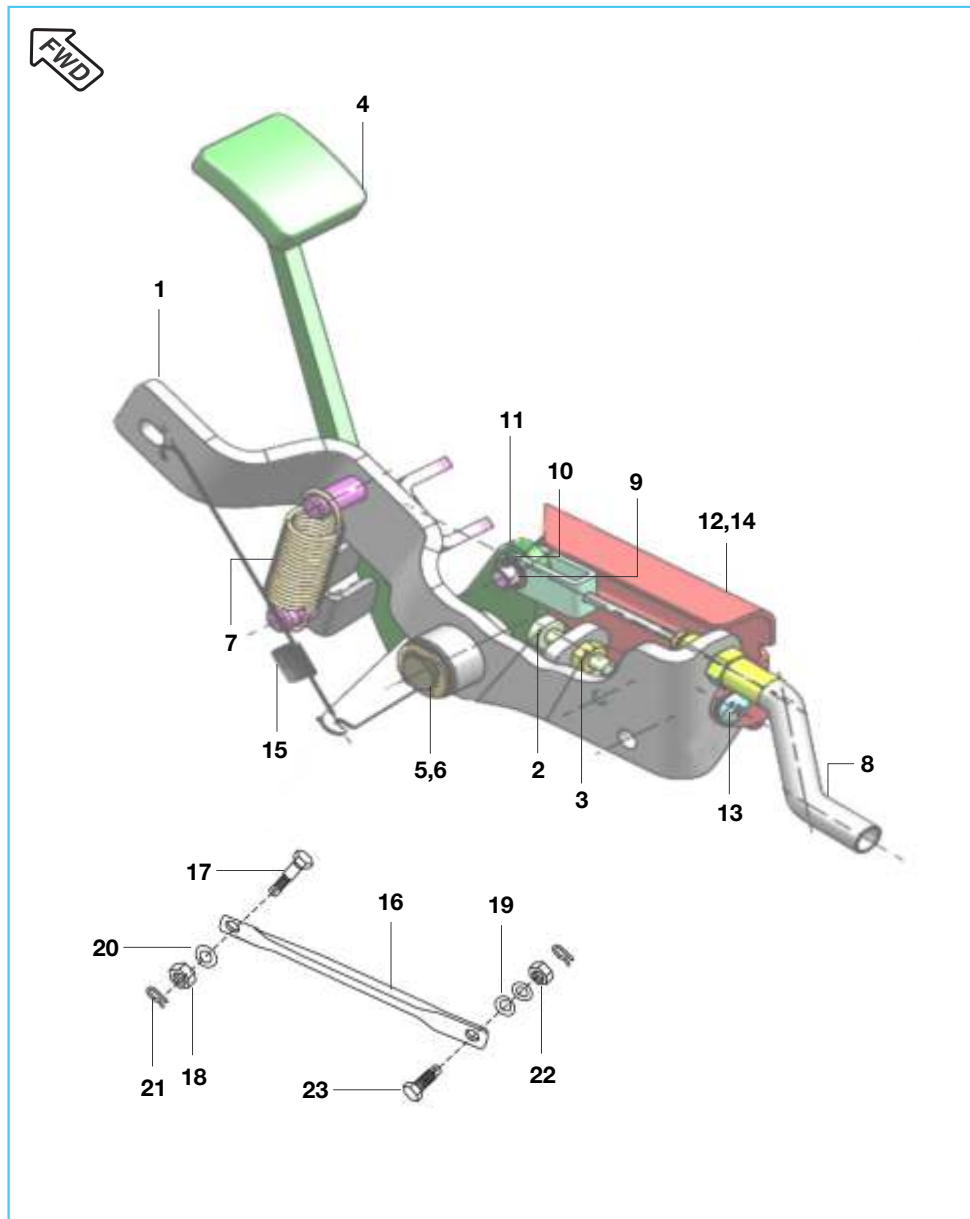
No.	Part No.	Description	Qty.	Remarks
1	DG 1510 06	Axle, Front	1	
3	JC 1510 20	Case Meter Housing W/O Sensor	1	
4	DH 1710 19	Nut	1	
5	DV 1510 07	Collar	1	
6	KP BC62 02	Ball Bearing	2	
7	DG 1510 05	Seal oil	1	
8	DG 1510 07	Collar Front Axle	1	
9	DG 1510 08	Washer	1	

Rear Hub - Alloy Wheel



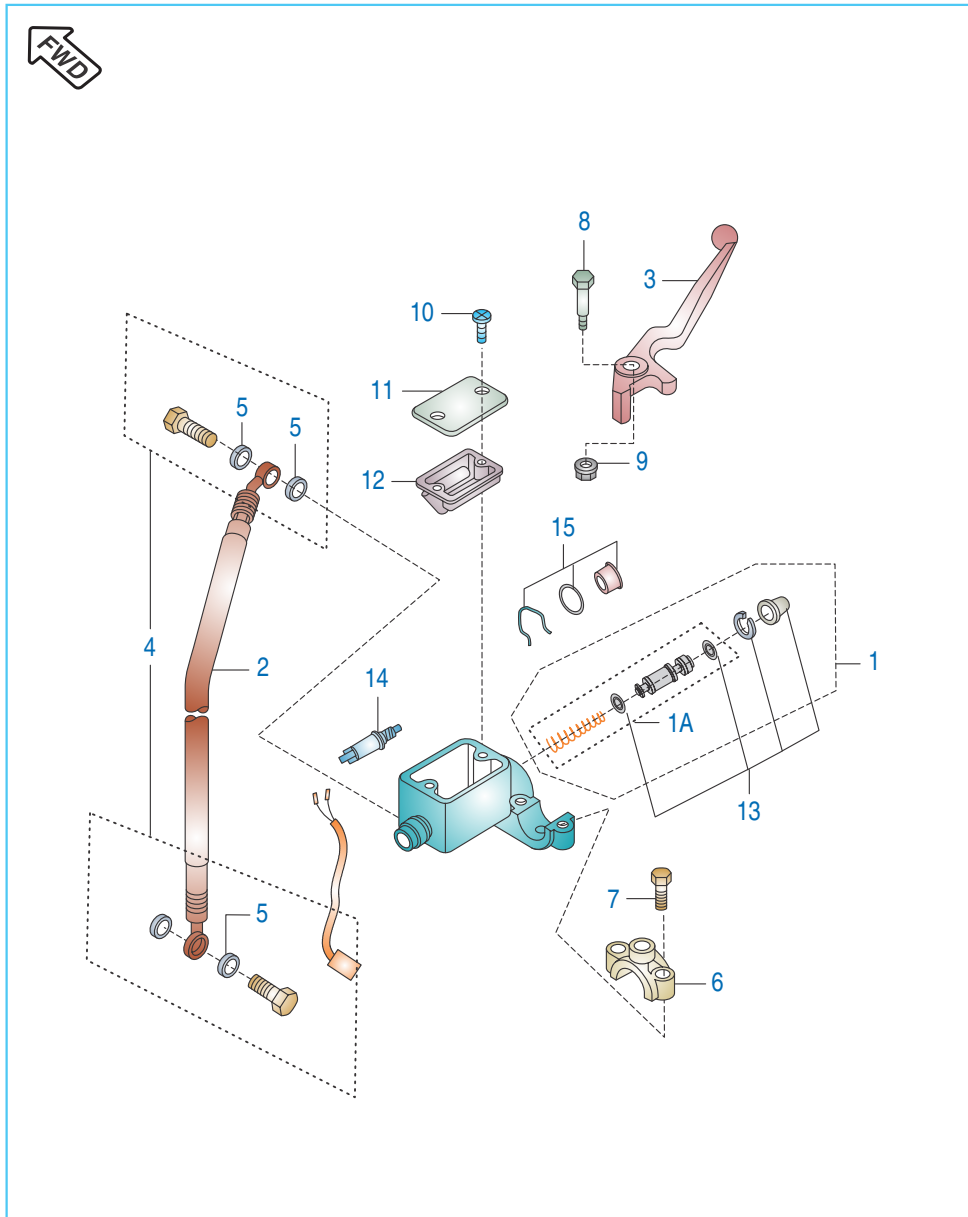
No.	Part No.	Description	Qty.	Remarks
1	PD 1312 12	Coupling	1	
2	PD 1318 10	Panel Brake Rear	1	
3	DG 1510 96	Shoe Brake Rear (Pair)	1	
4	DG 1510 59	Cam Brake	1	
5	DG 1510 60	Lever Brake Cam	1	
6	JM 1510 05	Axle Rear	1	
7	30 1510 05	Indicator Brake Shoe	1	
8	30 1510 76	Damper Rear Hub Shock	1	BS IV
	JL 1312 32	Damper Rear Hub Shock	1	
9	PD 1312 12	Coupling Rear Hub	1	
10	36 PD00 09	Chain - Sprocket - Kit	1	Refer Page No.105
11	DV 1510 06	Nut Flanged lock	6	
12	30 1510 82	Seal Oil	1	
13	KP BC62 02	Bearing Ball	1	
14	DG 1510 95	Joint Chain	1	Deleted
15	DG 1510 58	Spring Brake Shoe	1	
16	30 1510 69	Spring Brake Shoe	1	
17	DH 1710 19	Nut	1	
18	DG 1510 85	Collar Rear Brake Drum	1	
19	DG 1510 62	Collar Rear Axle	1	
20	DG 1510 08	Washer	2	
21	39 1069 01	Screw	1	
22	KP BC60 04	Bearing Ball	1	
23	KP BC63 02	Bearing Ball	1	
24	DG 1510 65	Sleeve	1	To be confirm
25	DG 1510 68	Bolt	6	

Rear Brake Pedal



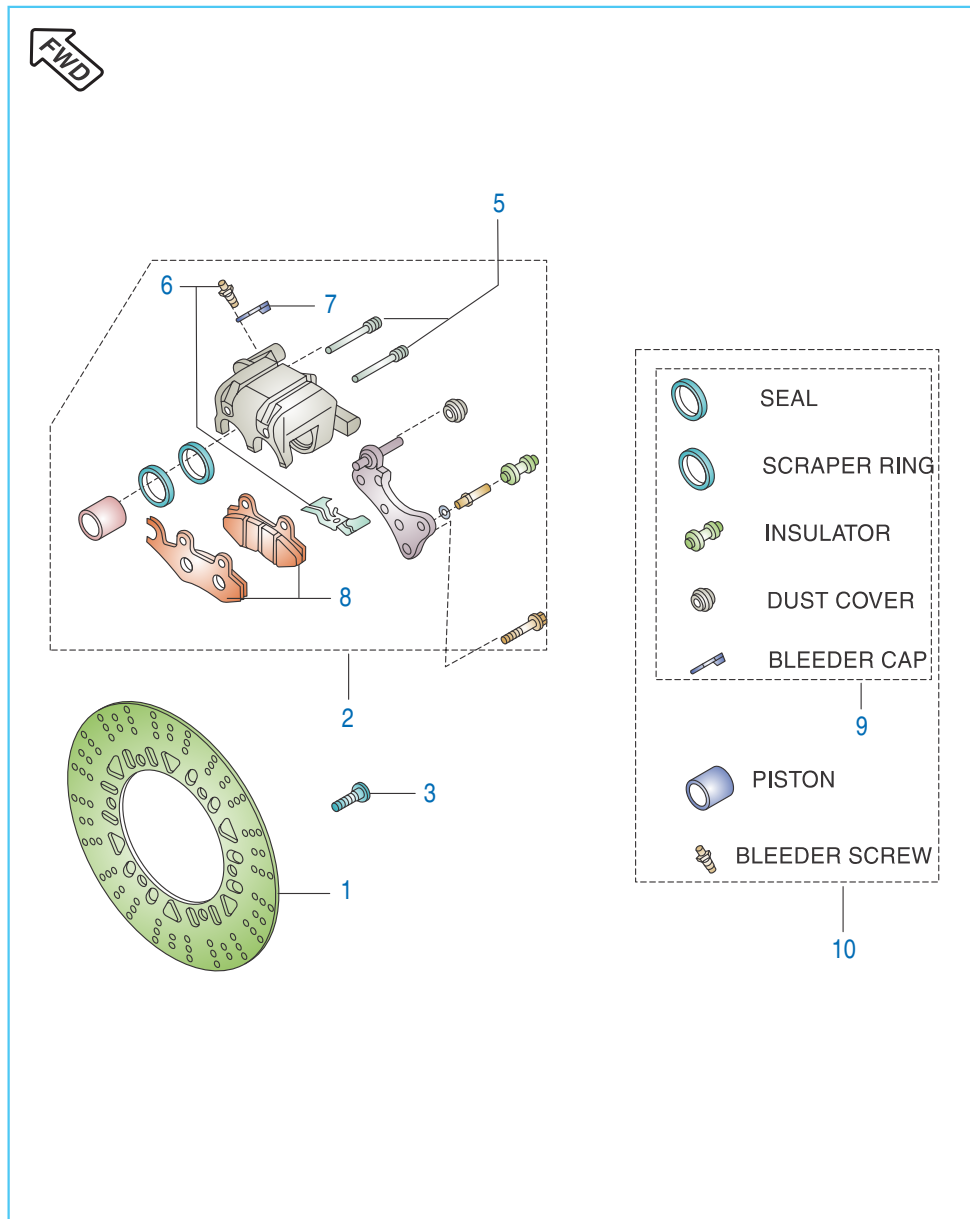
No.	Part No.	Description	Qty.	Remarks
1	JM 1610 37	Stay RH assly.	1	
2	KA AC06 30	Hexagon head bolt M6X1	1	
3	39 1513 15	Hexagon Nut-M6X1	1	
4	JM 1910 11	Lever Brake	1	
5	39 0805 11	Washer	1	
6	LE C000 01	Circlip E type	1	
7	JM 1910 12	Spring	1	
8	JM 1910 13	Rear brake cable	1	
9	DG 1910 51	Pin	1	
10	39 1211 11	Washer Plain	1	
11	39 0146 08	Slip Pin	1	
12	PD 2312 05	Guard Brake pedal	1	
13	KB UA06 12	Mushroom Head screw - M6-L12	1	
14	LB U000 08	Mushroom Head screw - M6-L4	1	
15	JM 1910 14	Spring Brake Switch	1	
16	PD 1220 03	Torque Rod	1	
17	PD 1220 04	Bolt Torque Rod	1	
18	39 0694 15	Nut	1	
19	39 0789 12	Washer Spring	1	
20	39 1540 11	Washer Plain	2	
21	39 0807 08	Pin Snap	2	
22	39 1225 15	Hex Nut	1	
23	DG 1910 49	Bolt	1	

Front Master Cylinder



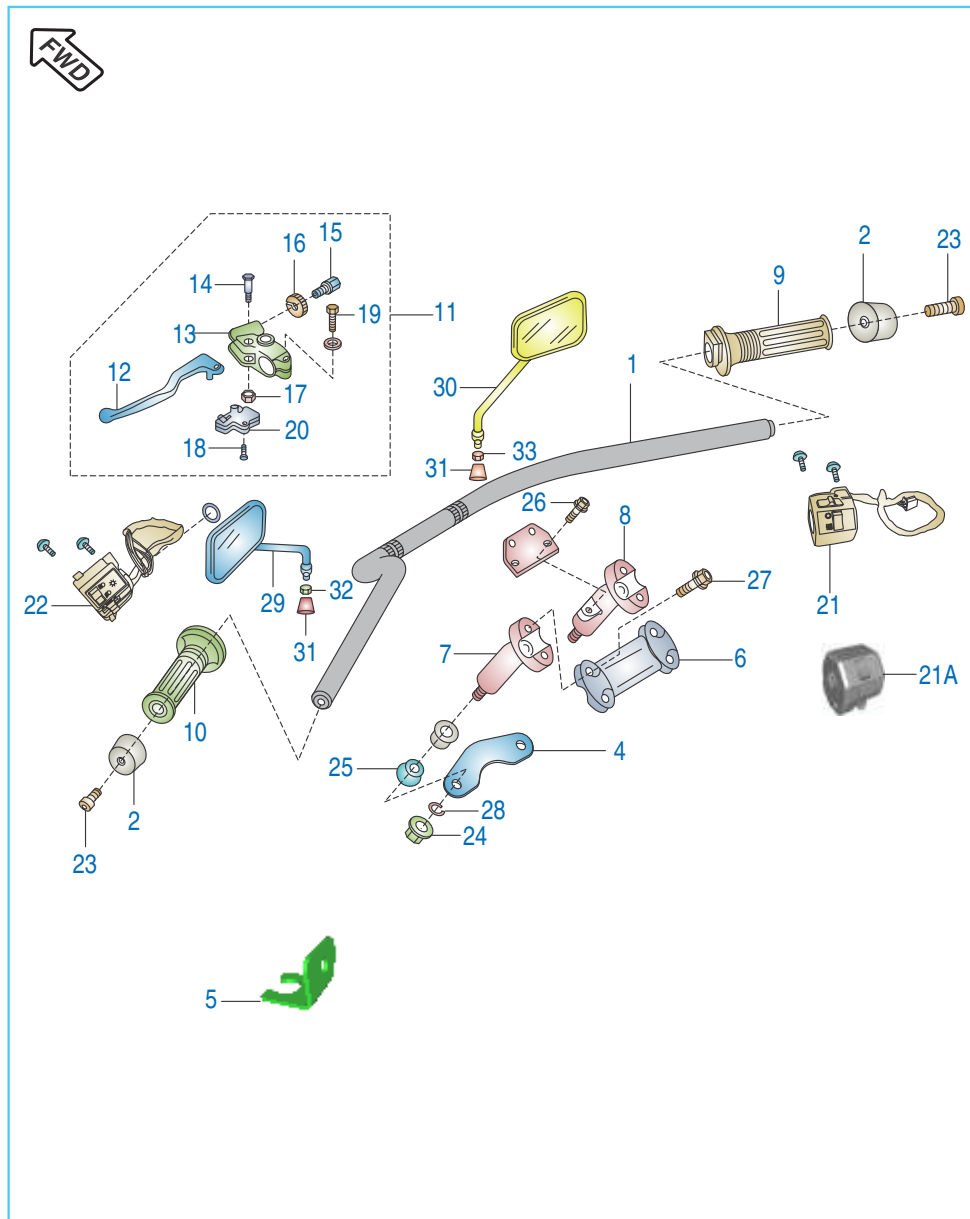
No.	Part No.	Description	Qty.	Remarks
1	36 PD00 50	Major Kit - Master Cylinder	1	
1A	36 PD00 51	Minor Kit - Master Cylinder	1	
2	PD 1318 08	Hose Brake Front	1	
3	DV 1910 07	Lever Grip RH	1	
4	36 PD00 54	Banjo Bolt Kit	1	
5	DJ 1910 26	Washer Copper	4	
6	DJ 1910 27	Clamp Holder RH	1	
7	DJ 1910 28	Bolt	2	
8	DJ 1910 29	Bolt Front Brake Lever	1	
9	DJ 1910 30	Nut Flanged	1	
10	DJ 1910 31	Screw	2	
11	DJ 1910 34	Reservoir Cover	1	
12	DJ 1910 35	Diaphragm	1	
13	36 PD00 53	Kit Master Cylinder Seals	1	
14	DJ 2011 09	Front brake switch	1	
15	DH 1910 62	Oil Window Kit	1	
16	PD 1318 07	Master Cylinder	1	

Front Brake - Caliper & Disc



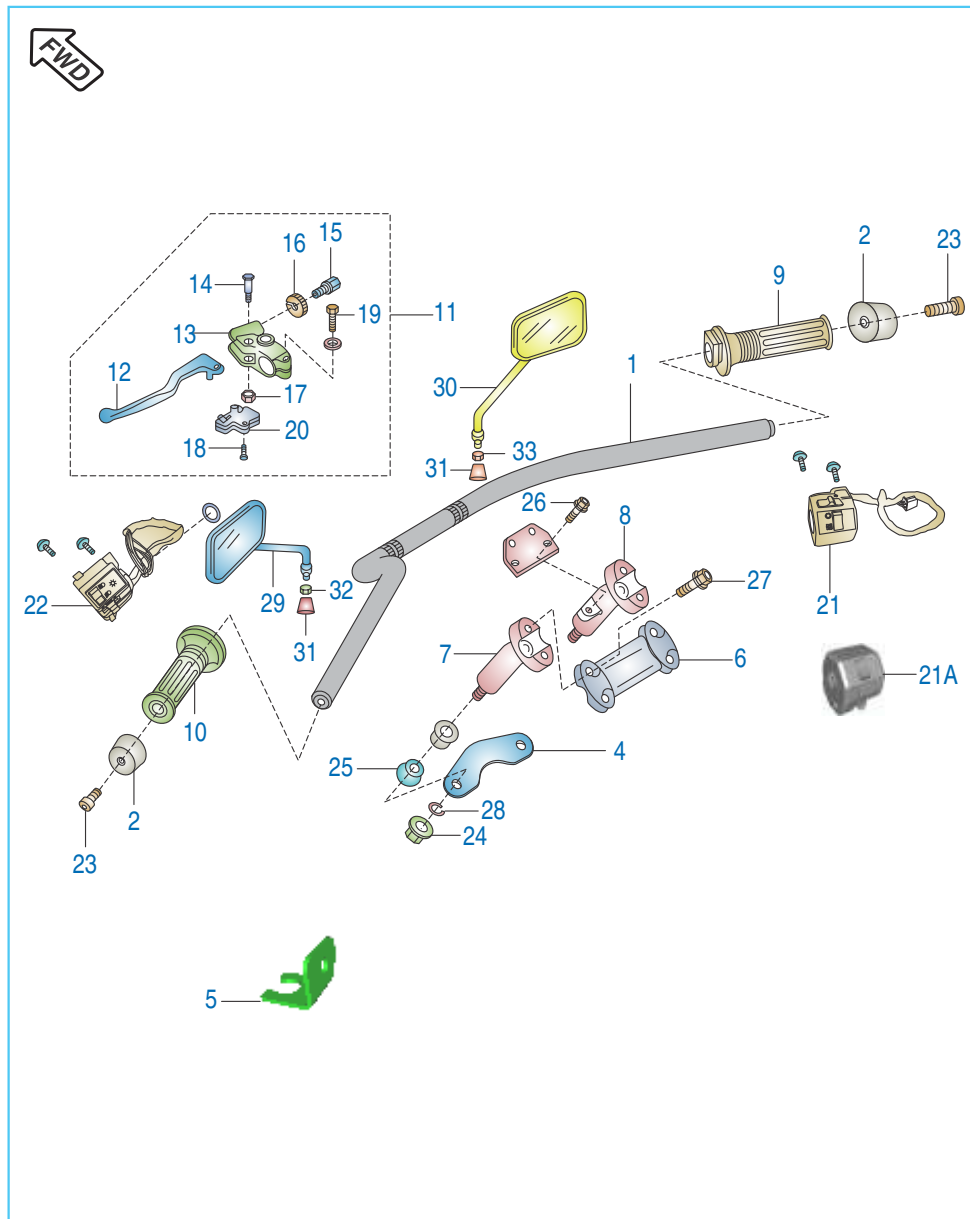
No.	Part No.	Description	Qty.	Remarks
1	PD 1318 04	Disc, Front	1	
2	PD 1318 06	Caliper Assly. Front	1	
3	PD 1318 03	Bolt, Disc Plate	6	
4	DG 1510 88	Bolt Flanged	2	
5	36 PD00 49	Anker Pin Kit	1	
6	36 PD00 48	Kit Caliper Mini	1	
7	DJ 1510 70	Bleeder Cap	1	
8	JW 1318 07	Disc Pad Set	1	
9	36 JF00 16	Minor Kit - Caliper	1	
10	36 JF00 15	Major Kit - Caliper	1	
11	DH 1510 39	Bolt - Flange :- Pre-coated (M8)	2	Caliper Mounting

Handle Bar Assembly



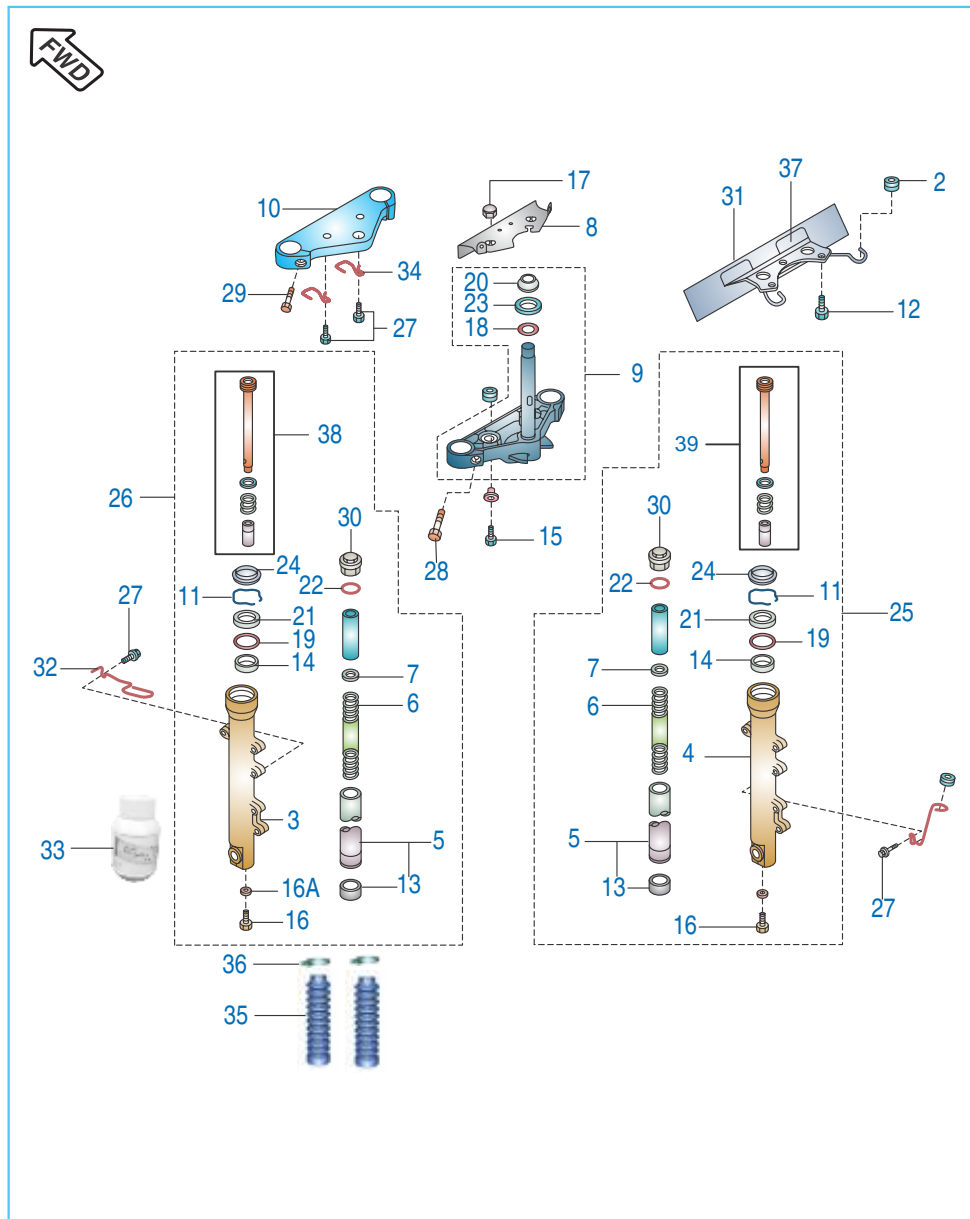
No.	Part No.	Description	Qty.	Remarks
1	PD 1510 00	Handle	1	
2	DJ 1810 11	Weight, Handle	-	2
3	DG 1810 69	Plate	1	
4	PD 1510 03	Upper Bracket	1	
5	PD 1138 03	Bracket Speedo Cable	1	
6	PD 1510 01	Holder Handle Upper	1	
7	PD 1510 04	Holder Handle Lower LH	1	
8	PD 1510 05	Holder Handle Lower RH	1	
9	PD 1610 04	Grip RH	1	
10	PD 1610 01	Grip LH	1	
11	DG 1910 10	Lever Assly. Grip Clutch LH	1	
12	DG 1910 12	Lever Grip	1	
13	DG 1910 10	Lever Assembly Grip LH	1	
14	DG 1910 13	Bolt Clutch Lever	1	
15	30 1910 24	Screw cable Adjust	1	
16	30 1910 17	Nut Cable Adjust Lock	1	
17	DG 1910 14	Nut Lock	1	
18	39 1995 01	Screw CSK Cross	2	
19	39 1993 04	Bolt Upset	1	
20	DG 2010 30	Clutch Switch	1	
21	PD 4014 01	Control Switch RH	1	
21A	PD 4014 09	Control Switch RH	1	AHO Model
22	PD 4014 04	Control Switch LH	1	
23	39 2427 04	Bolt - Hexagon Socket Head Cap - M6	2	
24	DG 1810 87	Nut Cap	2	
25	DG 1810 54	Damper	4	

Handle Bar Assembly



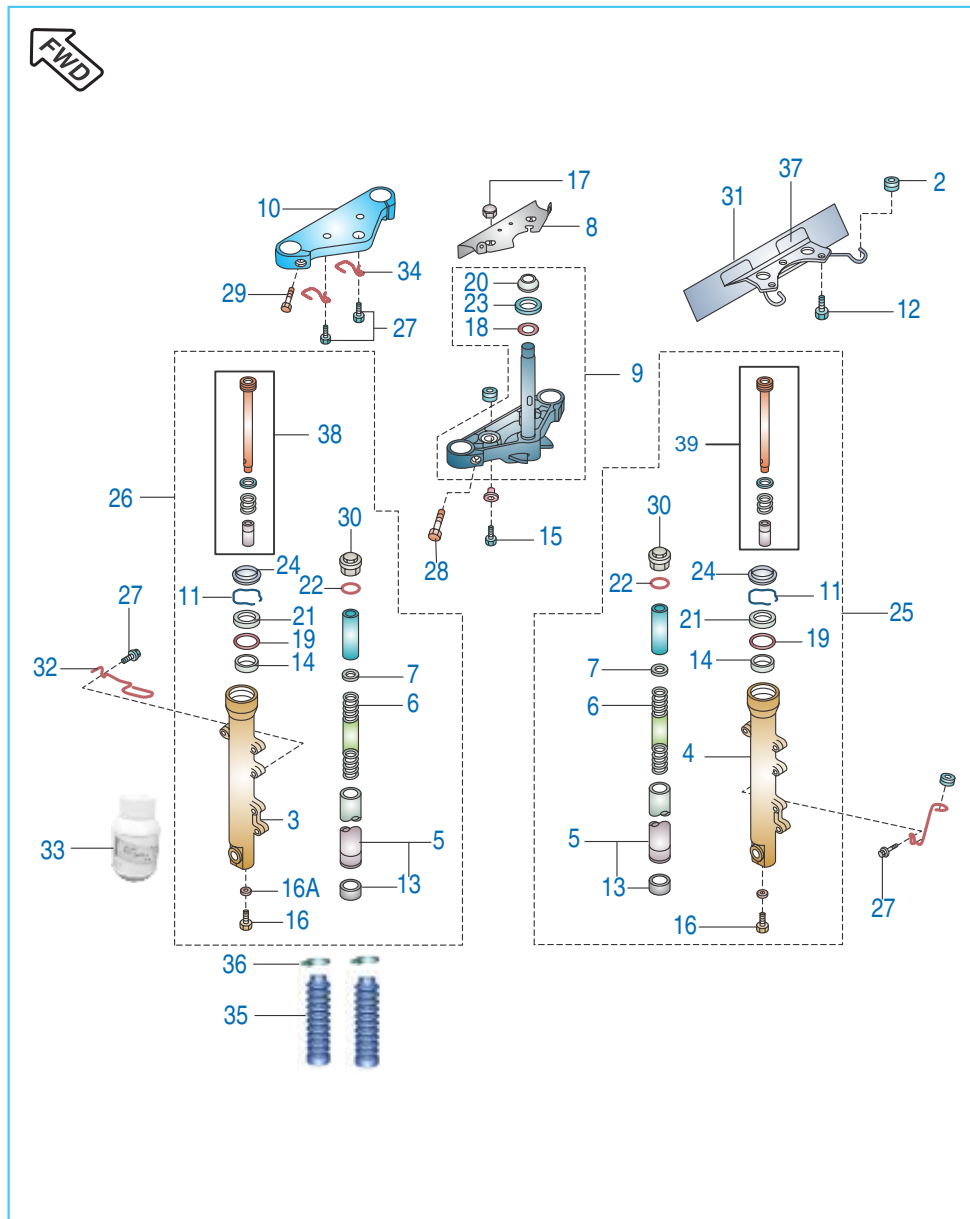
No.	Part No.	Description	Qty.	Remarks
26	39 1953 04	Bolt Flanged small	2	
27	39 1952 04	Bolt Flanged small	4	
28	39 0789 12	Washer spring	2	
29	PD 2316 04	Mirror Assembly LH (Plastic Housing)	1	
30	PD 2316 05	Mirror Assembly RH (Plastic Housing)	1	
31	JM 2210 04	Mirror Rubber boot	2	
32	JM 2210 05	Nut Mirror LH	1	
33	JM 2210 06	Nut Mirror RH	1	
35	JM 1910 10	Lever Boot - Clutch Lever	1	N.I.

Front Fork



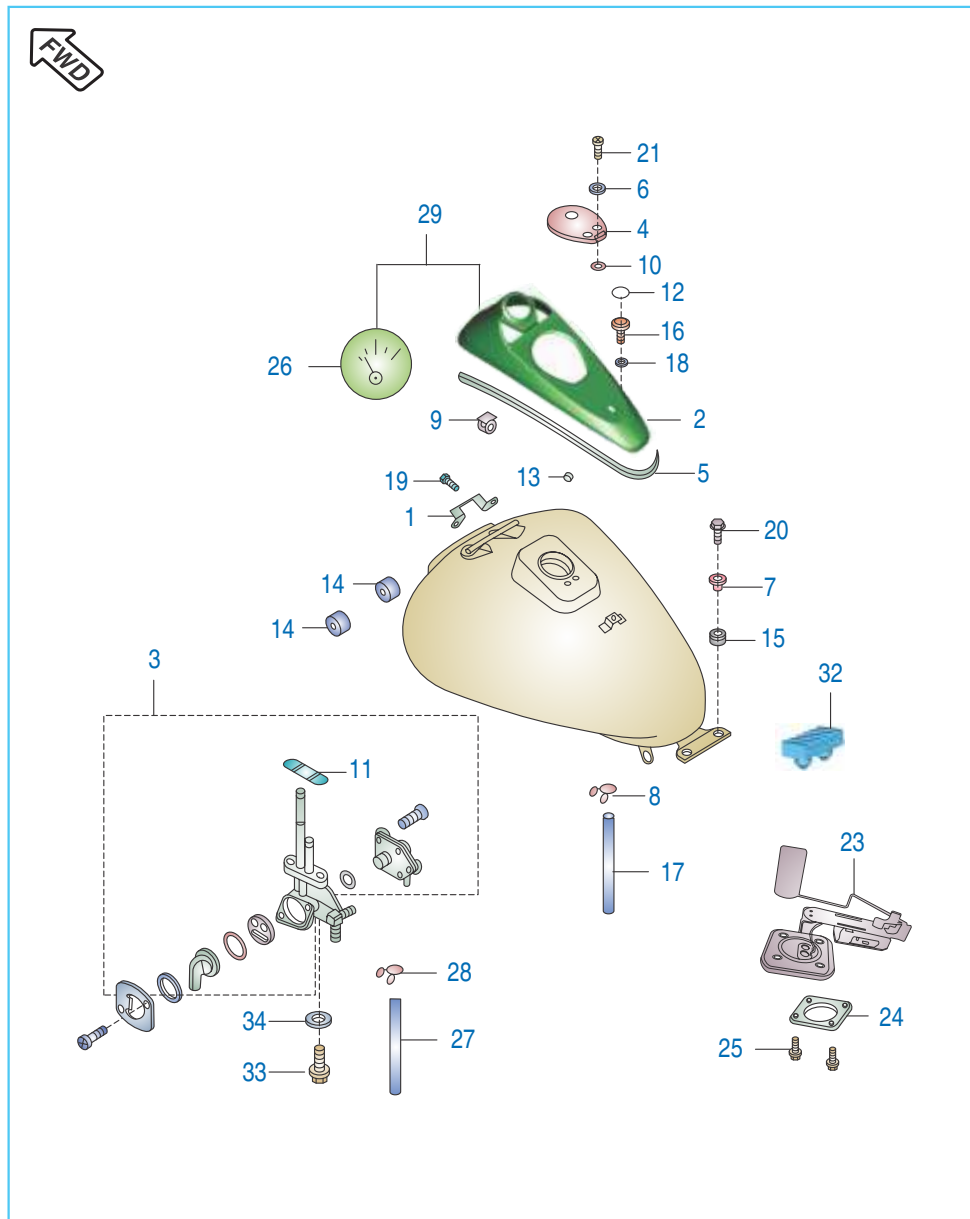
No.	Part No.	Description	Qty.	Remarks
1	PD 1210 07	Front Fork	1	
2	DG 1810 34	Grommet, Hose Clamp	2	
3	PD 1210 09	Tube Outer LH	1	
4	PD 1210 10	Tube Outer LH	1	
5	DV 1810 13	Fork Pipe Inner	2	
6	DG 1810 14	Spring Front Fork	2	
7	DG 1810 15	Seat Fork Spring	2	
8	PD 1812 16	Bracket Fork Cover	1	
9	PD 1210 15	Under Bracket Assly	1	
10	PD 1510 03	Holder Fork Upper	1	
11	DG 1810 22	Ring, Oil Seal Stopper	2	
12	39 1943 04	Bolt Flange	3	
13	DG 1810 11	Bushing - Front Fork, Inner Pipe	2	
14	DG 1810 13	Bushing - Front Fork, Outer Tube	2	
15	39 1950 04	Bolt Flanged small	2	
16	KA CF08 30	Bolt, Fork Cylinder	2	
16A	30 1810 26	Gasket	2	
17	DG 1810 85	Nut, Cap	2	
18	DG 1810 03	Washer	1	
19	DG 1810 24	Spacer	2	
20	DG 1810 05	Race, Steering Stem Bearing	1	
21	36 PD00 82	Fork oil seal kit	2	
22	DG 1810 26	Ring 'O' Fork Top	2	
23	DG 1810 04	Seal Oil, Steering Stem	1	
24	DG 1810 21	Seal, Fork Outer Tube	2	
25	PD 1210 12	Leg Assly. RH	1	

Front Fork



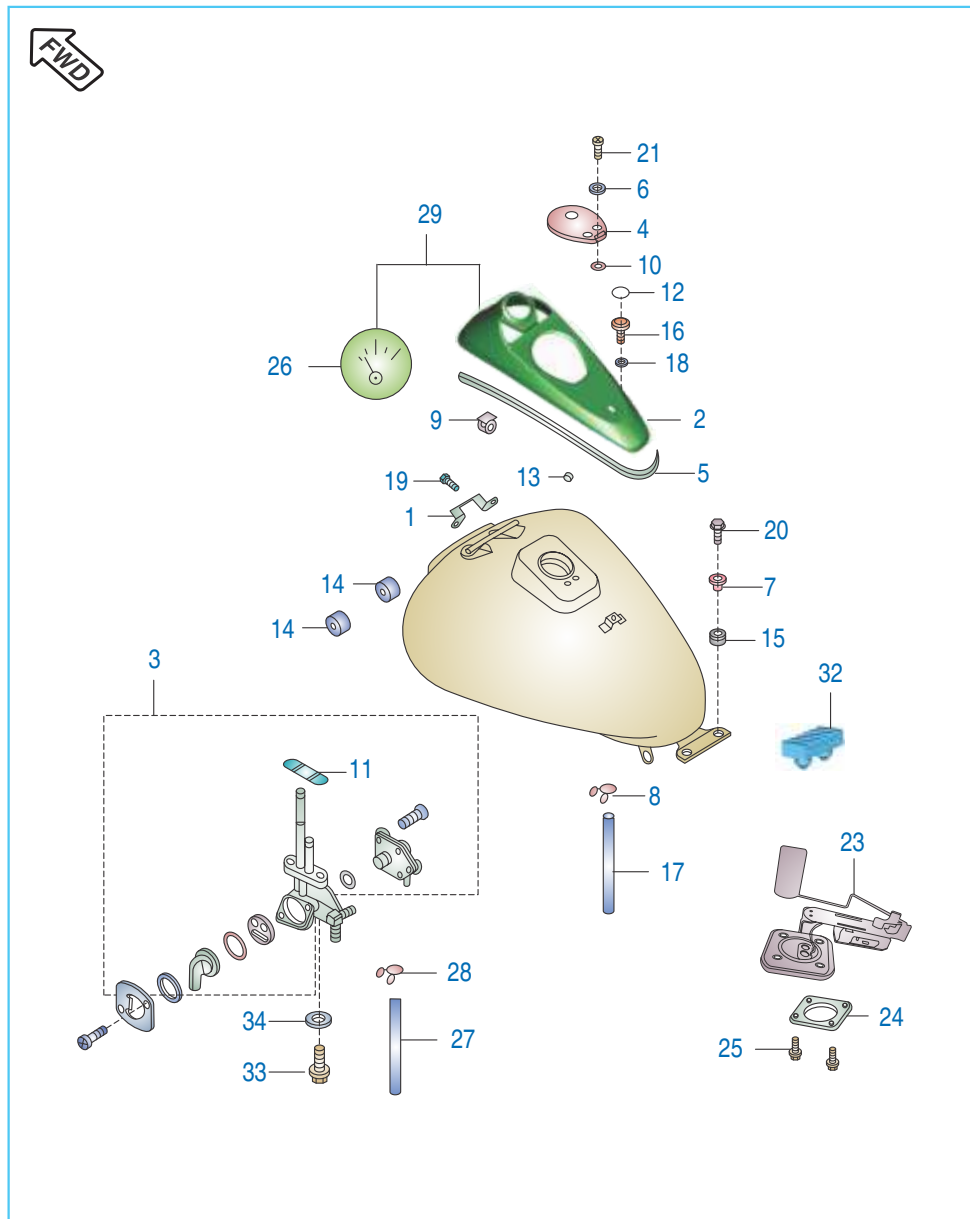
No.	Part No.	Description	Qty.	Remarks
26	PD 1210 11	Leg Assly. LH	1	
27	DG 1810 36	Bolt	4	
28	DG 1810 06	Bolt Socket	2	
29	DG 1810 08	Bolt	2	
30	DG 1810 25	Bolt Fork Top	2	
30A	DG 1810 26	O Ring	2	
31	DP 1611 44	Plate Number Front	1	
32	DG 1810 41	Clamp S' cable clamp	1	
33	36 3140 04	Front Fork oil Bottle 160ml	1	
34	DG 1810 40	Clamp	2	
35	PD 1210 06	Bellow	2	
36	PD 1210 14	Clamp Bellow	2	
37	DG 1810 99	Bracket Front Number Plate	1	
38	DG 1810 28	Cylinder Complete Fork	2	

Fuel Tank



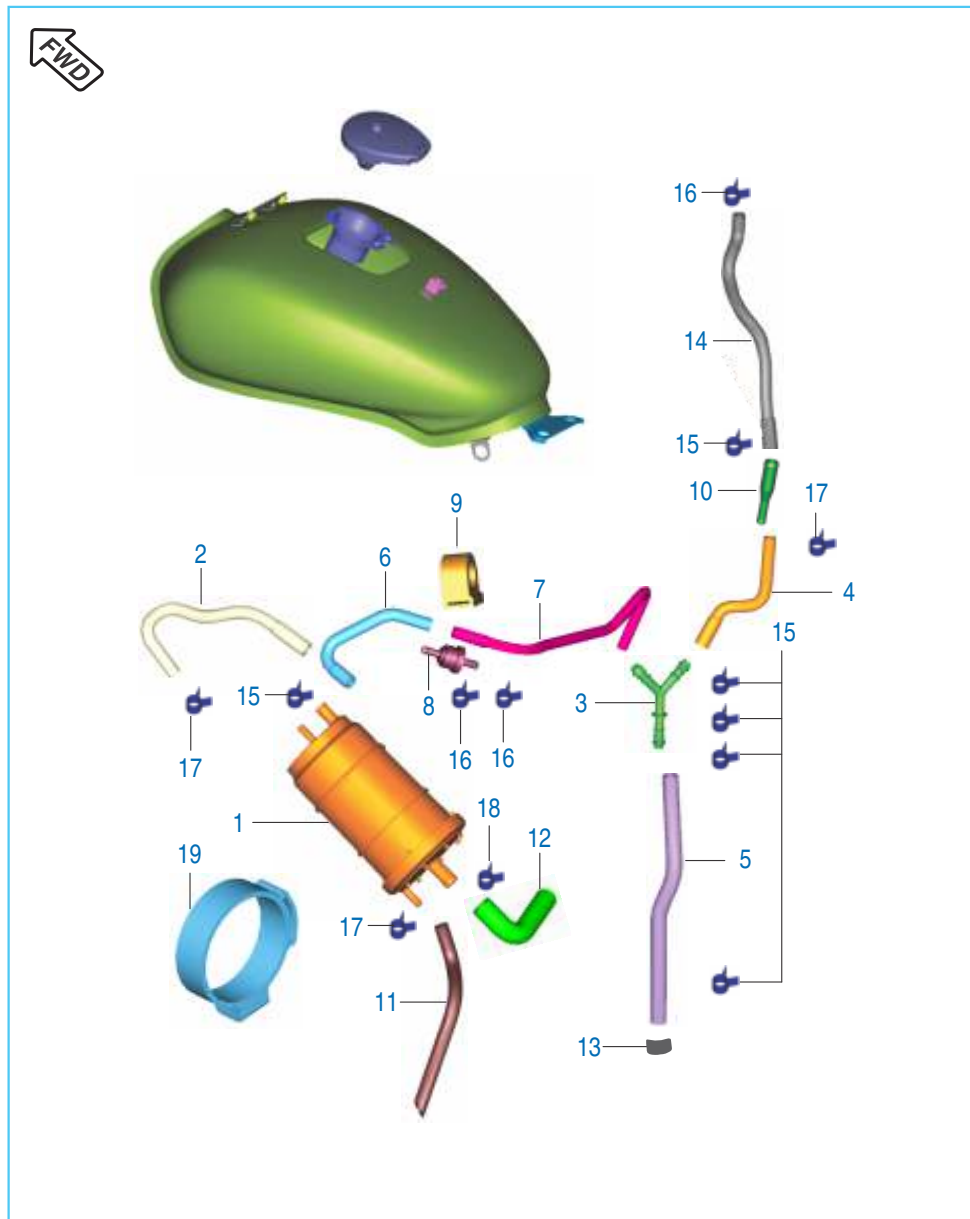
No.	Part No.	Description	Qty.	Remarks
1	DG 1410 20	Bracket Fuel Tank Cover	1	
2	PD 1710 08	Cover Fuel Tank Satin Black	1	
3	DJ 1410 56	Fuel Cock Assly.	1	
4	PD 1716 01	Cap Tank Fuel	1	
	PD 1716 12	Cap Tank Fuel	1	BS IV
5	DG 1410 59	Trim	1	
6	39 2179 24	Washer	2	
7	PD 1710 03	Collar	2	
8	DG 1410 28	Clamp	1	
9	DG 1410 43	Clamp, Tube	1	
10	30 1410 31	Ring 'O'	2	
11	30 1410 39	Ring 'O' Fuel Tap Packing	1	
12	DG 1410 24	Plug	2	
13	DG 1410 25	Damper	2	
14	30 1410 26	Damper Fuel Tank	2	
15	DG 1410 19	Damper	2	
16	DG 1410 26	Bolt	2	
17	DG 1410 29	Tube	1	
18	DG 1410 27	Washer	2	
19	39 1912 04	Bolt Flanged	2	
20	39 1913 04	Bolt Flanged	2	
21	39 0761 01	Screw Pan Cross	2	
22	PD 1710 08	Cover with fuel gauge	1	
23	PD 4026 04	Fuel gauge sender	1	
	PD 4026 07	Fuel Level Sensor	1	BS IV
24	30 1410 28	Gasket Tank Unit	1	
25	30 1410 32	Bolt for tank Unit	4	

Fuel Tank



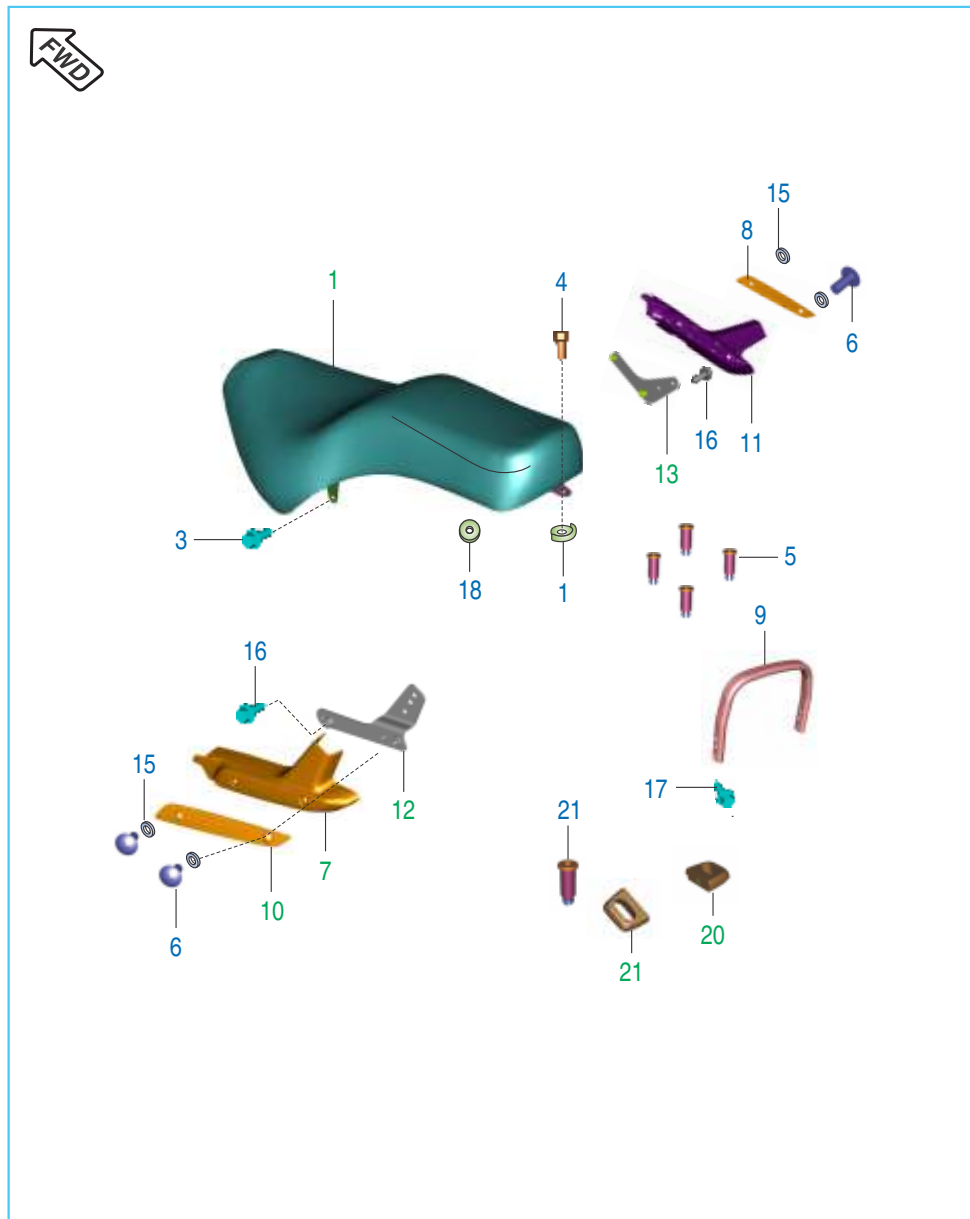
No.	Part No.	Description	Qty.	Remarks
26	PD 4026 06	Fuel gauge (Meter)	1	
	PD 4026 09	Fuel Gauge And Tell Tale Indicator	1	
27	DJ 1410 06	Fuel Cock Tube	1	
	JM 1410 09	Fuel Pipe	1	BS IV
28	30 1410 15	Clip for Tube	1	
29	52 PD01 17	Cover Assembly With Fuel Gauge	1	
30	PA 4010 18	LED Bulb	4	N.I.
31	GF 2010 50	Bulb 12V, 1.7 W	1	N.I.
32	PD 1710 23	Damper Tank Resting	1	
33	DD 1412 27	Bolt Fuel Cock Mounting	2	
34	39 0740 11	Washer	2	

EVAP Mechanism



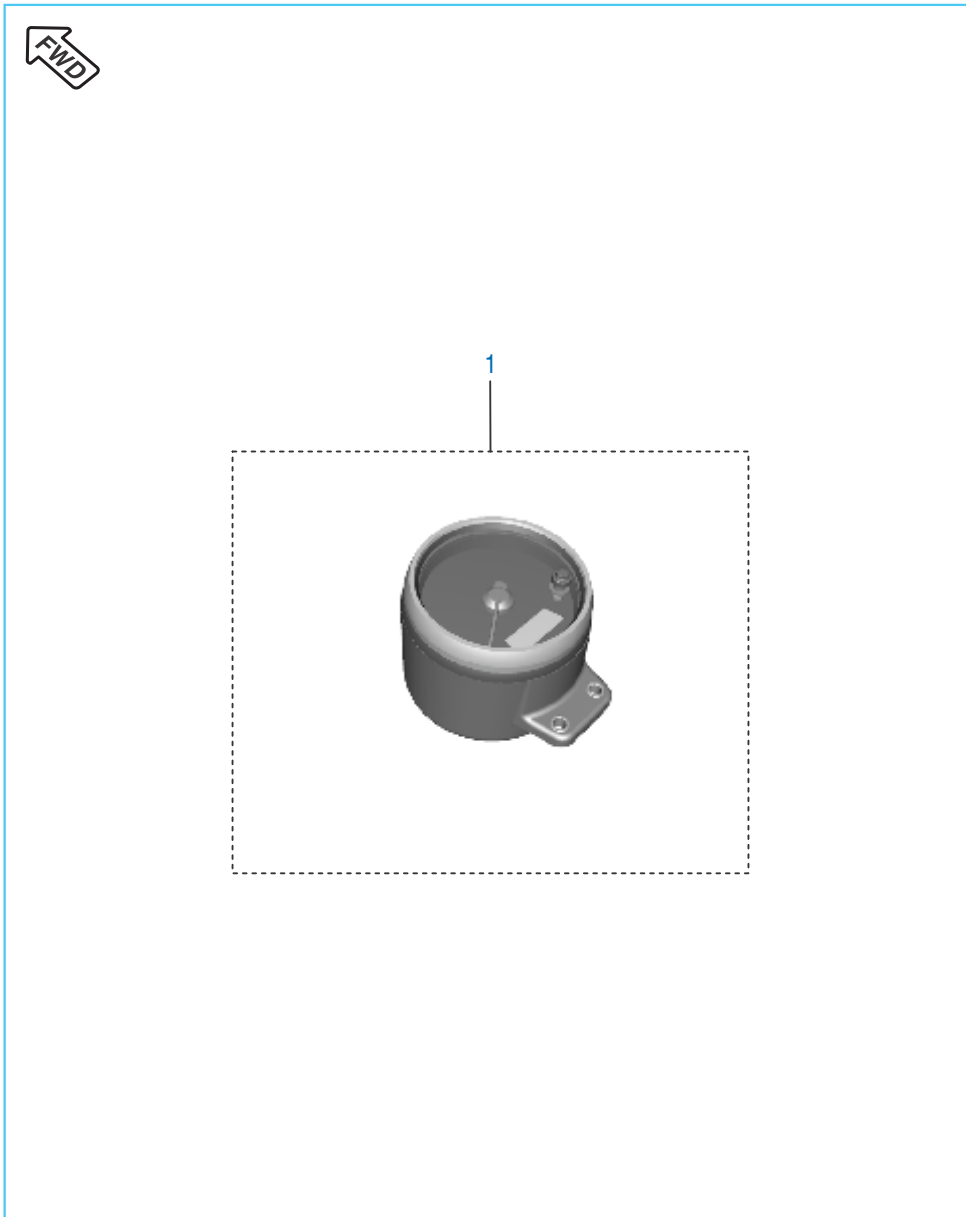
No.	Part No.	Description	Qty.	Remarks
1	PF 1710 30	Canister	1	
2	PD 1716 04	Tube Y Connector To Canister	1	
3	JY 1138 42	Connector Y Shape	1	
4	PD 1716 03	Tube Inline Connector To Y Con.	1	
5	PD 1716 11	Tube Y to Drain	1	
6	PD 1716 05	Tube Canister to Purge Valve	1	
7	PD 1716 06	Tube Purge Valve To Carburettor	1	
8	PD 1716 16	Valve Purge	1	
9	JH 1710 48	Grommet Purge Valve	1	
10	JG 1710 86	Connector Tube EVAP	1	
11	JH 1710 25	Tube Canister Drain	1	
12	PD 1716 09	Tube Canister Breather	1	
13	JY 1718 25	Plug Fuel Drain	1	
14	PD 1716 02	Tube Tank To Inline Connector	1	
15	JY 1710 90	Spring Band Clamp 13x12	6	
16	JG 1710 29	Spring Band Clip 10 Mm	3	
17	JY 1710 70	Spring Band Clamp 9 X8.4	3	
18	DG 1210 40	Spring Band Clamp 15x10	1	
19	PD 1138 02	Strap Canister Mounting	1	

Seat / Grip Frame Rear / Cover Grip Frame



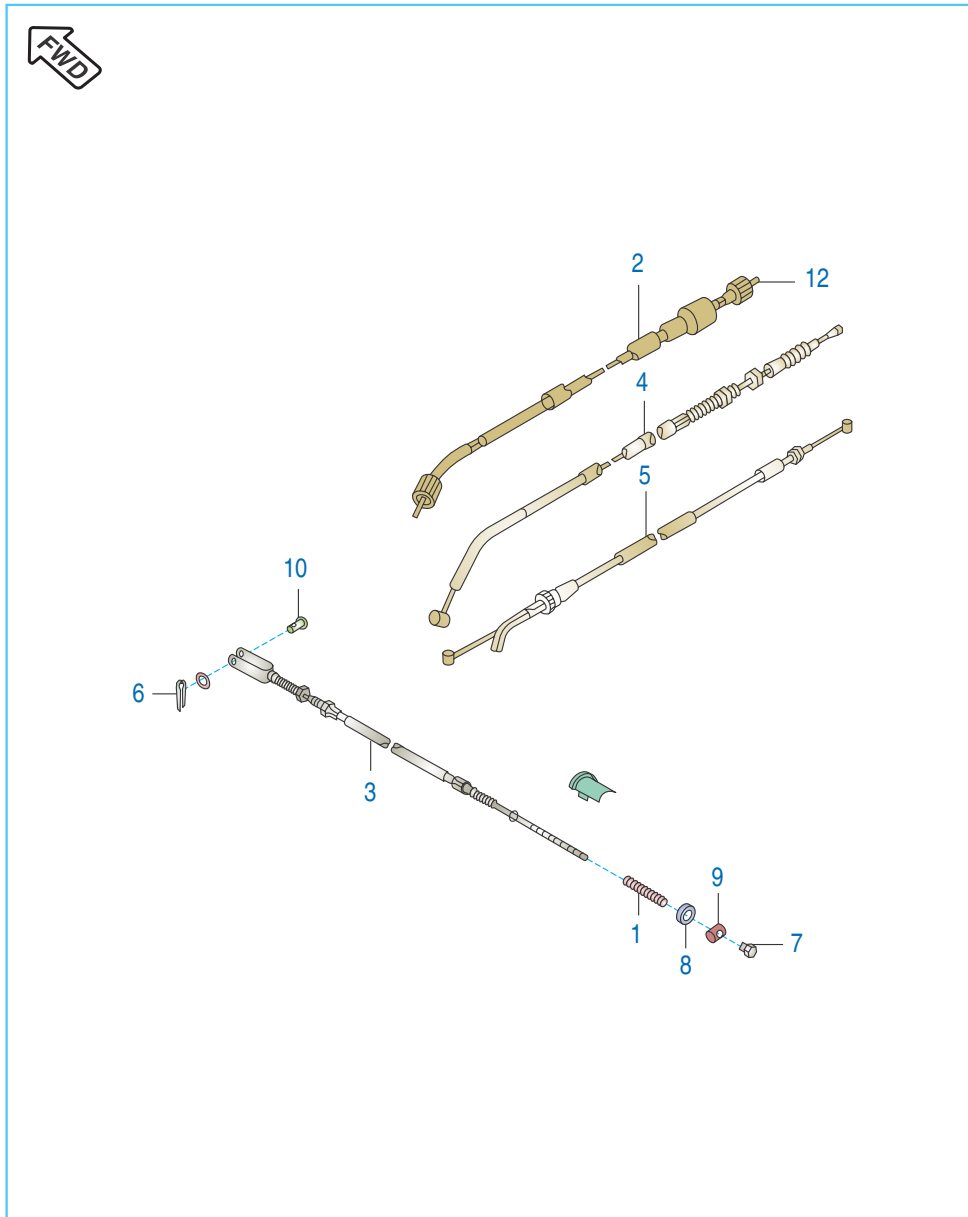
No.	Part No.	Description	Qty.	Remarks
1	PD 1910 02	Seat Assly.	1	
2	PD 1910 01	Washer Nylon	1	
3	39 1942 04	Bolt Flanged	2	
4	39 1949 04	Bolt Flanged Small	1	
5	PD 2314 12	Nail	4	
6	KB UF06 14	Screw Truss	4	
7	PD 1812 12	Cover Grab Rear LH	1	
8	PD 1812 15	Side Plate Grip RH	1	
9	PD 2314 01	Grab Rear	1	
10	PD 1812 14	Side Plate Grip LH	1	
11	PD 1812 13	Cover Grip Rear RH	1	
12	PD 2314 02	Grip frame LH	1	
13	PD 2314 03	Grip frame RH	1	
15	KD BA06 13	Washer Plain	4	
16	39 1952 04	Bolt flanged Small	4	
17	LA C000 90	Bolt flanged	4	
18	DG 2110 06	Seat Damper	1	
20	PD 2314 11	Cap Grab Rail RH	1	
21	PD 2314 04	Cap Grab Rail LH	1	

Speedometer



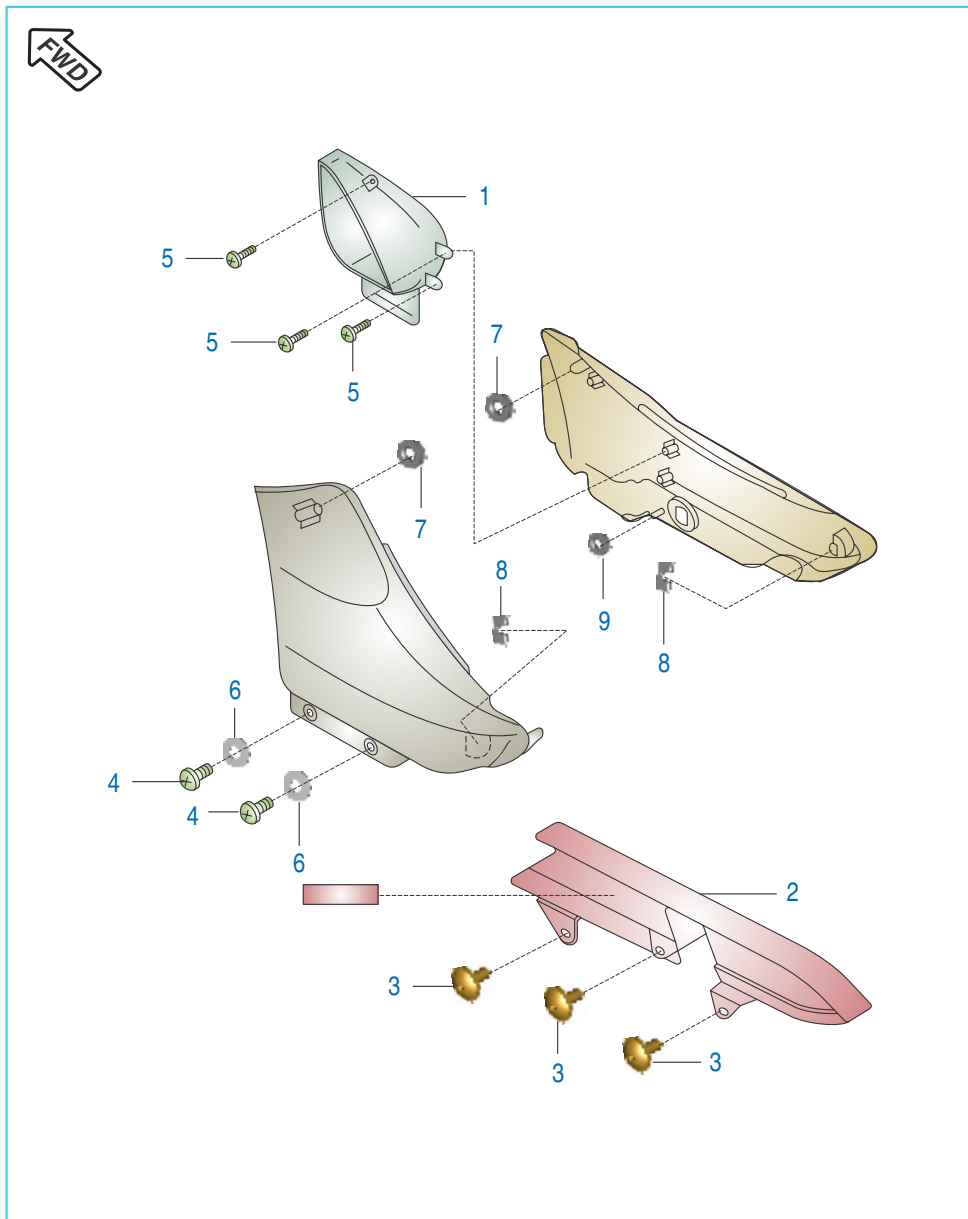
No.	Part No.	Description	Qty.	Remarks
1	PD 4024 00	Meter Assly.	1	
2	DV 1810 08	Bracket Speedo	1	N.I.
3	39 1953 04	Bolt	2	N.I.

Cables



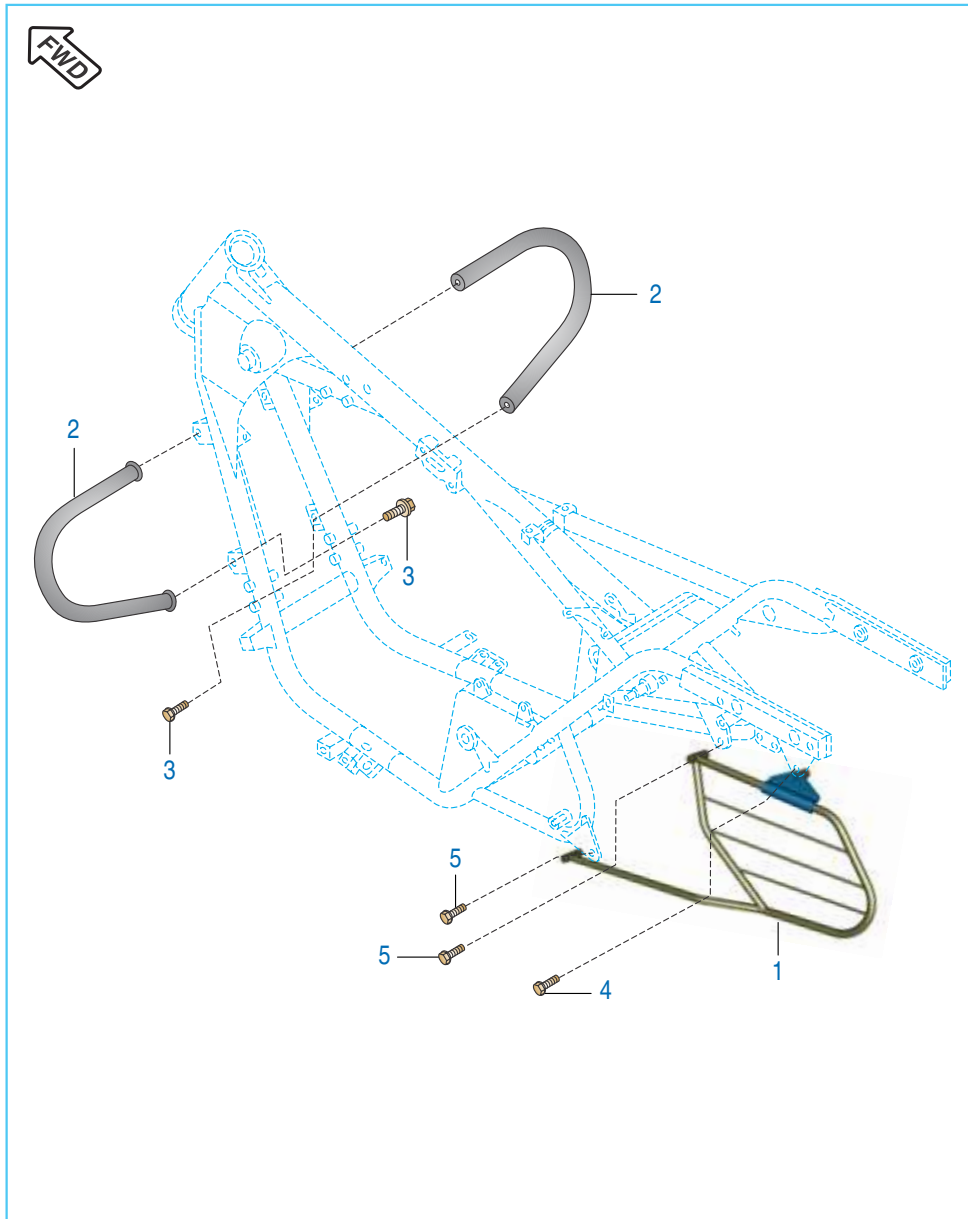
No.	Part No.	Description	Qty.	Remarks
1	30 1910 35	Spring, Brake Rod	1	
2	DK 2010 98	Cable- Speedometer	1	
3	JM 1910 13	Cable Brake	1	
4	DV 1910 02	Cable Clutch	1	
5	DV 1910 04	Cable Throttle	1	
6	39 0146 08	Pin Cotter	1	
7	30 1910 36	Nut Brake Rod	1	
8	39 1211 11	Washer Plain	1	
9	DG 1910 50	Pin Brake Rod	1	
10	DG 1910 51	Pin	1	

Side Covers / Chain Cover



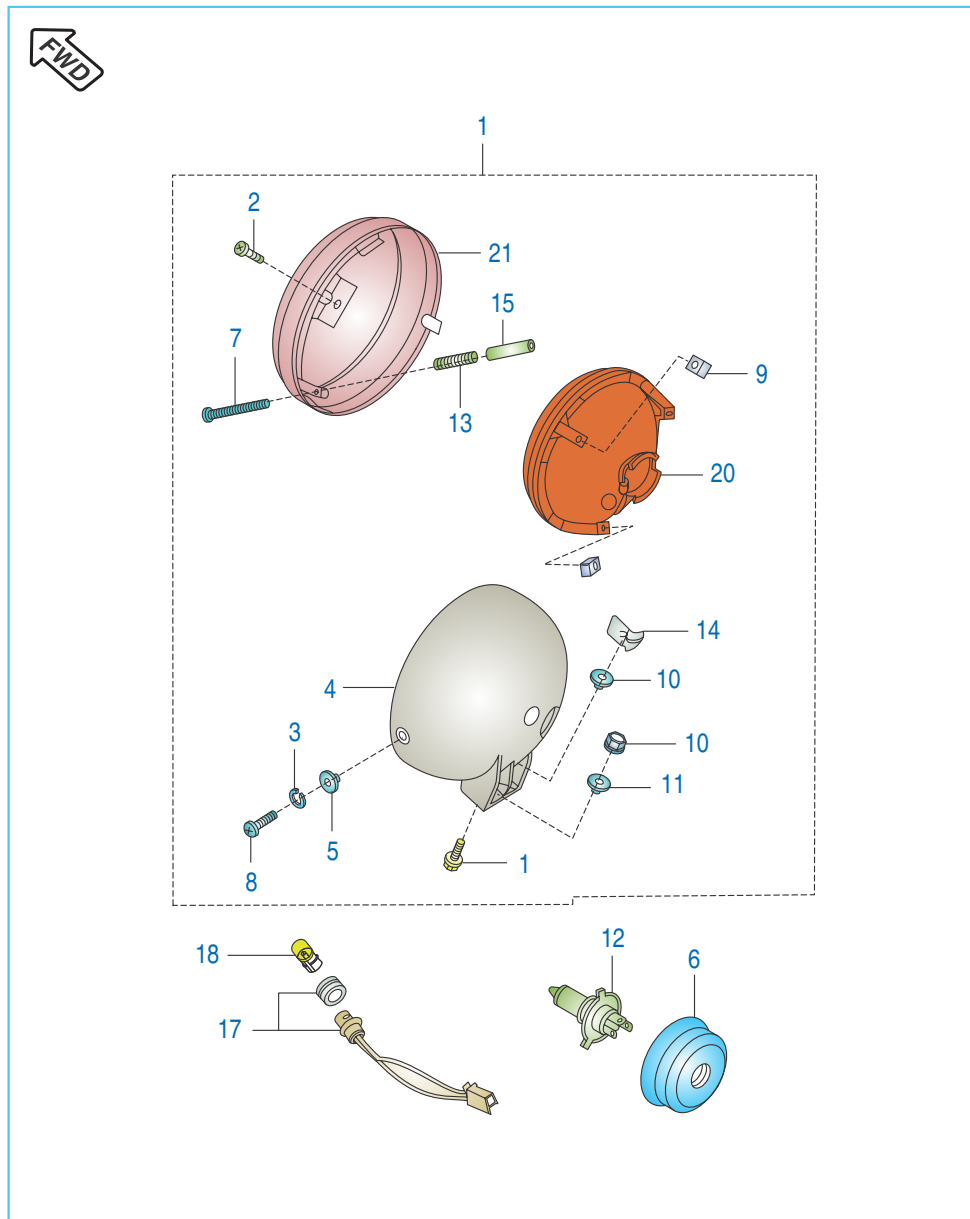
No.	Part No.	Description	Qty.	Remarks
1	DG 1612 20	Cover - Side Right Hand Front	1	
2	DG 1611 20	Case Chain	1	
3	DG 1611 21	Screw Tapping	3	
4	39 1076 01	Screw	2	
5	DG 1611 17	Screw	3	
6	31 1610 78	Washer	2	
7	DG 1611 18	Grommet	2	
8	DD 1610 22	Damper	2	
9	DG 1612 25	Damper	1	

Guards



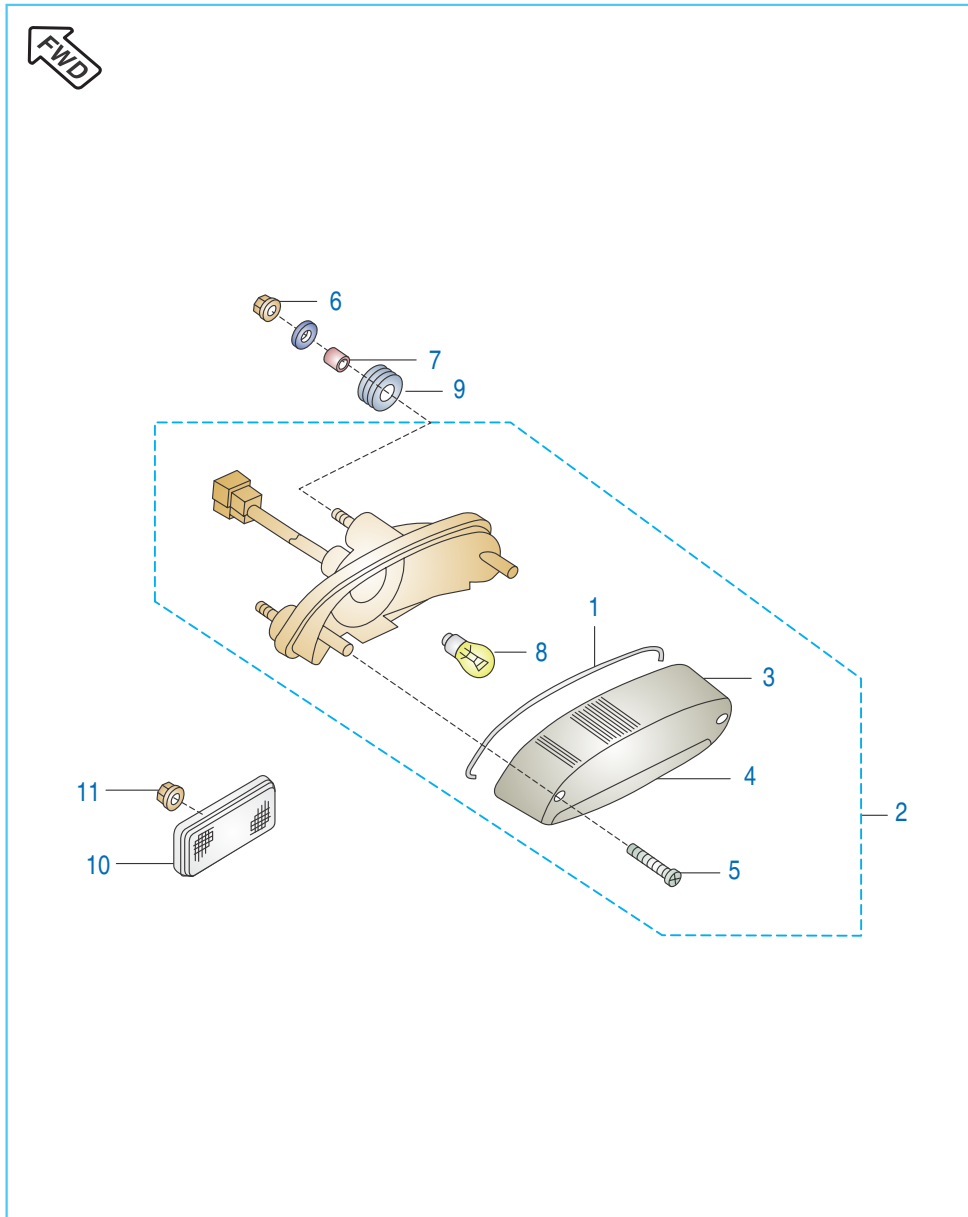
No.	Part No.	Description	Qty.	Remarks
1	PD 2312 01	Guard Sari	1	
2	PD 2312 02	Guard- Front Bumper	2	
3	39 1940 04	Bolt Flanged	4	
4	KA DU08 40	Bolt Flanged	1	
5	KA DU08 55	Bolt Flanged M8	2	

Head Light



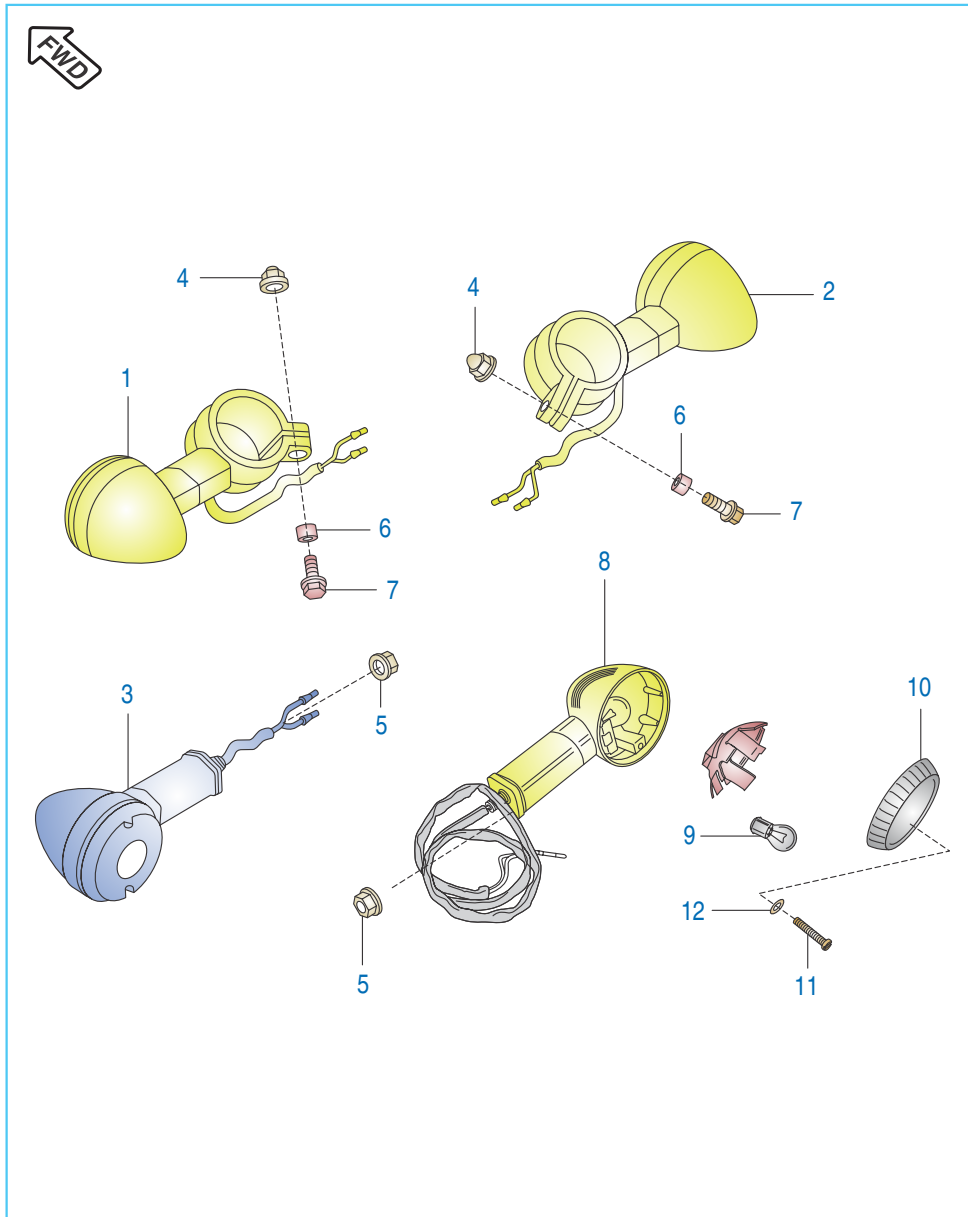
No.	Part No.	Description	Qty.	Remarks
1	YP D020 02	Head lamp Without Bulb	1	
2	DG 2010 66	Screw Pan Cross	1	
3	39 0790 12	Spring Washer	2	
4	YP D030 01	Head Lamp Housing - Lumax	1	
5	30 2010 33	Washer	2	
6	YP D010 09	Cap for Head lamp-Lumax	1	
7	DG 2010 69	Screw Focus Adjust	2	
8	DG 2010 43	Screw	2	
9	DG 2010 70	Nut	1	
10	DG 1910 64	Nut Flanged	1	
11	DG 2010 57	Collar	2	For Head Light Mtg.
12	PD 4010 14	Bulb H4 Blue Tinge- 55/60W	1	
13	DG 2010 72	Spring Focus Adjust	2	
14	DG 2010 12	Clamp Harness	1	
15	DG 2010 73	Tube	2	
16	39 2029 04	Bolt Flanged	2	
17	YP D010 08	Harness Head Lamp-	1	
18	30 2010 29	Lamp 12V - 4W	1	
19	YP D020 03	Rim Headlight	1	
20	YP D020 04	Reflector Headlight	1	

Tail Light / Reflector Reflex



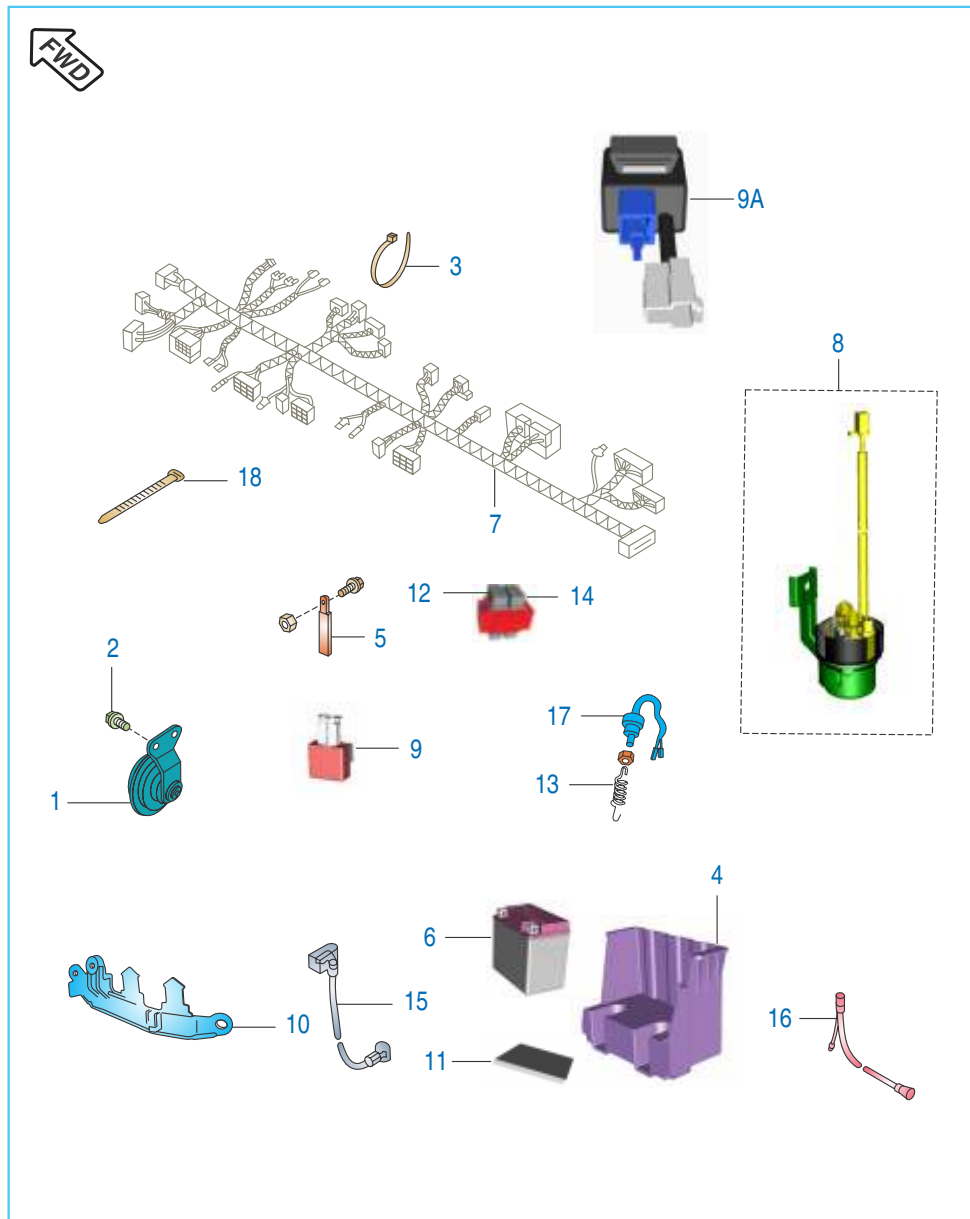
No.	Part No.	Description	Qty.	Remarks
1	DG 2010 75	Gasket Tail Lamp Lens	1	
2	PD 4010 01	Tail Lamp Assly.	1	
3	DG 2010 49	Lens Tail Lamp- Red	1	
4	DG 2010 50	Lens Tail Lamp- Clear	1	
5	DG 2010 76	Screw Tapping	2	
6	DG 1910 64	Nut Flanged	3	
7	31 2010 01	Collar	3	
8	AA 2012 27	Lamp 12V - 21/5W	1	
9	DG 2010 15	Damper	3	
10	JG 4010 36	Reflector Reflex	1	
11	39 1972 15	Nut Flanged	1	

Indicator Light



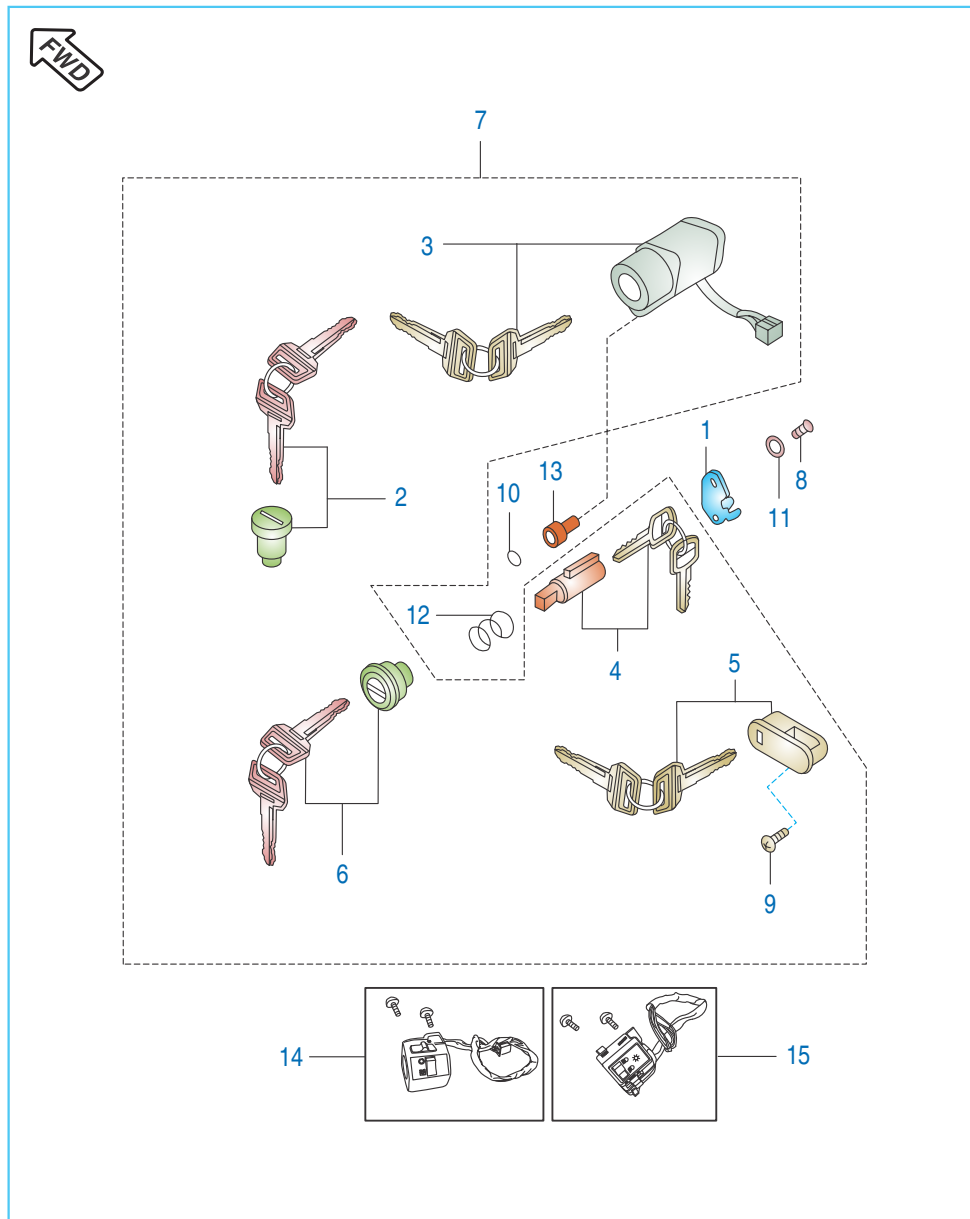
No.	Part No.	Description	Qty.	Remarks
1	PD 4010 04	Indicator Assly FR. LH	1	
2	PD 4010 05	Indicator Assly FR. RH	1	
3	PD 4010 06	Indicator Assly Rear. LH	1	
4	39 1971 15	Nut Cap	2	
5	39 1225 15	Nut Flanged	2	
6	31 2010 01	Collar	2	
7	39 1950 04	Bolt Flanged Small	2	
8	PD 4010 07	Indicator Assly Rear RH	1	
9	GH 2010 12	Lamp 12V-10W	4	
10	YP D010 10	Lens Signal Light	4	
11	DG 2010 77	Screw Signal Light	8	
12	DG 2010 78	Washer Signal Light Light	8	

Electrical Equipment



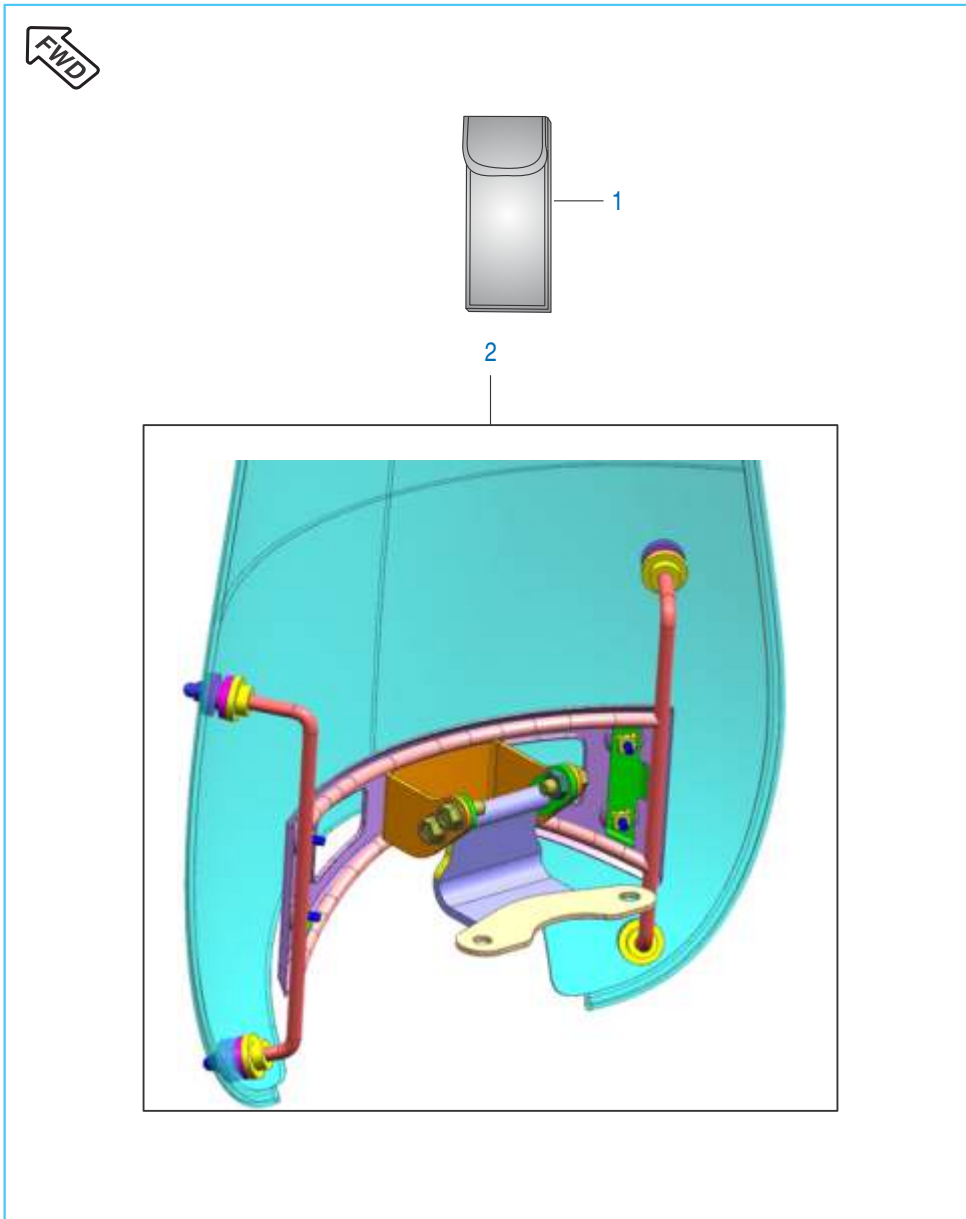
No.	Part No.	Description	Qty.	Remarks
1	PD 4016 01	Horn	1	
2	39 1912 04	Bolt Flanged	2	
3	30 1910 48	Band	2	
4	PD 1810 00	Battery Box	1	
5	31 2010 21	Clamp wiring harness	1	
6	JF 4018 03	Battery 4 Ah VRLA	1	
7	PD 4022 12	Wiring Harness	1	
	PD 4022 26	Wiring Harness	1	BS IV
	PD 4022 35	Wiring Harness	1	AHO Model
8	DV 2010 16	Starter Relay Assly.	1	
9	DS 2010 25	Flasher	1	
9A	DT 4020 06	Light Control Module	1	AHO Model
10	DV 1610 36	Band Battery Bracket	1	
11	DG 2010 27	Mat Battery	1	
12	AK 2010 12	Fuse 10A	2	
13	JM 1910 14	Spring Rear Brake Switch	1	
14	AP 2010 25	Fuse 15A	2	
15	PD 4022 14	Cable Assly. (Motor to St. Rly.)	1	
16	PD 4022 13	Cable Assly. (Battery to Earth)	1	
17	DG 2010 61	Rear Brake Switch	1	
18	JD 4022 17	Band (L 150)	2	

Ignition Switch & Control Switch



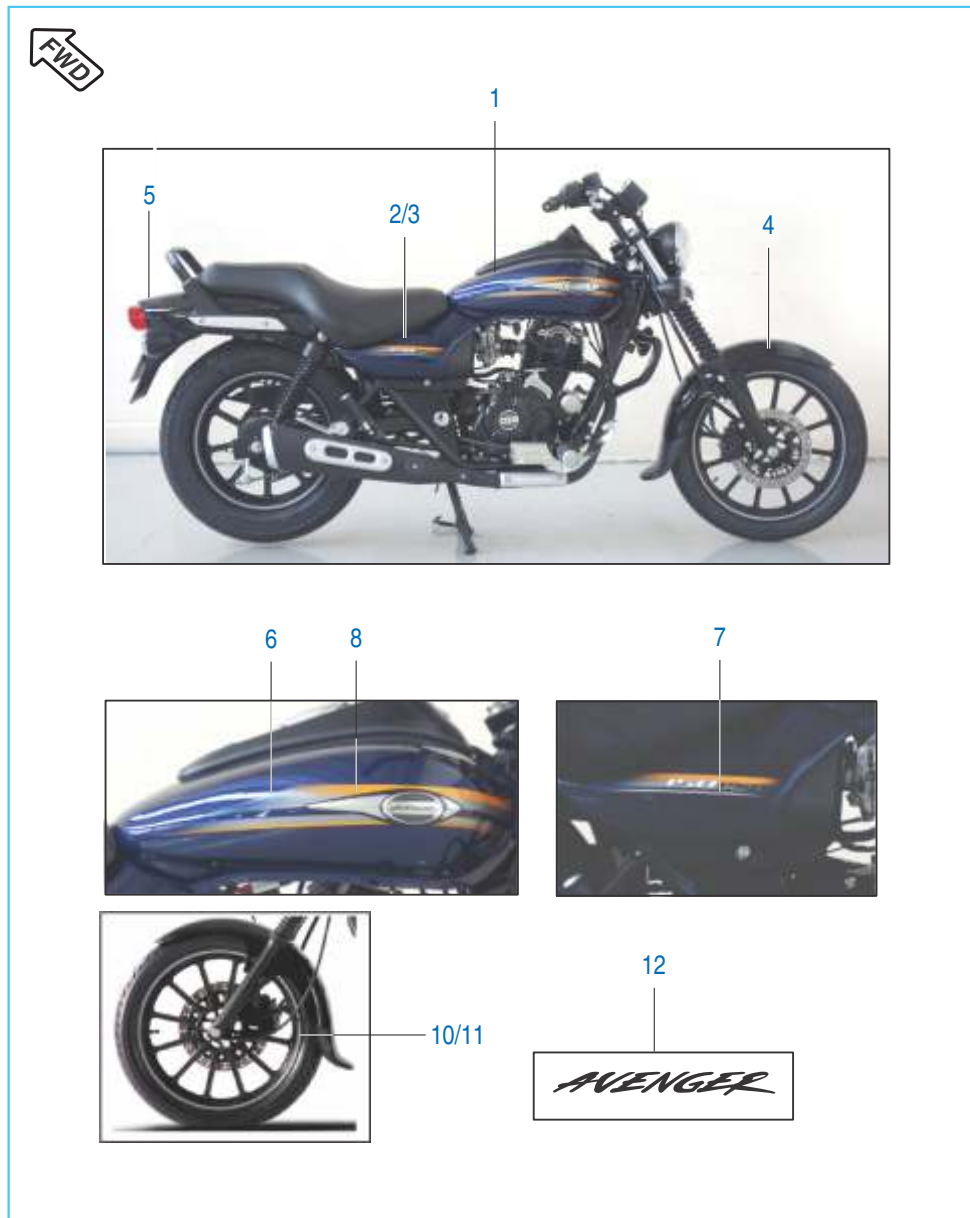
No.	Part No.	Description	Qty.	Remarks
1	DG 1810 55	Cap, Steering Lock	1	
2	DG 1410 17	Rotor, Lock, Tank Cap	1	
3	PD 4014 00	Switch Assly. Ignition	1	
4	PD 2326 03	Lock Assly Steering	1	
5	DG 2210 09	Lock Assly Helmet	1	
6	DG 1611 68	Lock Assly Side Cover	1	
7	PD 2326 02	Lock Set (5 in 1)	1	
8	DG 1810 57	Screw	1	
9	DG 2210 10	Screw	1	
10	DG 2010 23	Plug	1	
11	DG 1810 58	Washer Wave	1	
12	DG 1810 59	Spring Steering Lock	1	
13	39 1975 04	Bolt Socket	1	
14	PD 4014 04	Control Switch LH	1	
15	PD 4014 01	Control Switch RH	1	
16	DG 2010 30	Clutch Switch	1	
17	DJ 2011 09	Front Brake Switch	1	

Tool Kit & Wind Shield Kit



No.	Part No.	Description	Qty.	Remarks
1	JM 2210 03	Tool Kit	1	
2	52 JM00 18	Wind Shield Kit	1	

Painted Parts and Decals



No.	Part No.	Description	Qty.	Remarks
1	52 PD01 49	Tank fuel with decal	1	
	52 Pd03 79	PD Fuel Tank Vibrant Red With 3D Decal	1	
	52 PD03 80	Dark Blue Fuel Tank BS IV With 3D	1	
	52 PD03 41	Tank Fuel vibrant red with decal - BS IV	1	
2	52 PD01 54	Cover side LH with decal	1	
	52 PD03 31	Cover side LH vibrant red assly. comp.	1	
3	52 PD01 55	Cover side RH with decal	1	
	52 PD03 32	Cover side RH vibrant red assly. comp.	1	
4	52 PD01 66	Fender assly. Front - Black	1	
5	52 PD01 56	Fender rear	1	
6	36 PD00 15	Kit tank decal	1	
	36 PD00 63	Kit tank decal Vibrant Red	1	
7	36 PD00 17	Kit side cover decal	1	
8	PD 2330 02	3D decal tank LH	1	
	PD 2330 03	3D decal tank RH	1	
9	PD 2330 22	Decal rear fender center	1	N.I.
10	PD 2330 30	Decal rim front	2	
11	PD 2330 31	Decal rim rear	2	
12	PD 2330 01	Avenger branding holder handle	1	
13	PD 2330 20	Decal front fender center	1	N.I.
14	PD 2330 53	Decal cover side LH vibrant red	1	
15	PD 2330 54	Decal cover side RH vibrant red	1	

Consumable Parts



No.	Part No.	Description	Supply Unit	Application
1	36 0010 61	Bajaj Genuine Oil 10W50	1.5 Ltr.	Dominar 400
	83 0204 11	Bajaj Genuine Oil 10W30	1 Ltr.	100cc Models
	83 0203 34	Bajaj Genuine Oil 20W50 (BGO to be ordered to HPCL)	1 Ltr.	125cc and above models
2	36 0010 58	Bajaj Coolant Koolex	1 Ltr.	Coolant Top-up/Replace
3	36 DH40 61	Brake Fluid DOT4	100 ml	Disc Brake Top-up/Replace
	83 0203 25	Brake Fluid DOT3	100 ml	Disc Brake Top-up/Replace
4	36 Dh40 52	Silicon grease	3 gm	Caliper Pin
5	83 0204 73	Grease Petamo GHY 441	3 gm	Water Pump Seals
	83 0203 68	Grease Molycoat	200 gm	For Starter Clutch Lubrication
6	36 0010 52	HP Lithon RR Grease	10 gm	Steering Race
7	83 0201 73	Multi Purpose Grease (Local Purchase)	--	Lubrication of Clutch Lever, Brake Lever, Brake Pedal & Side Stand
8	36 0010 55	Chain Lubricant HP Make	1 kg	Non - Sealed Chain Lubrication
9	36 0010 62	Liquid gasket L5910	50 ml	Crankcase Joining
10	36 3140 04	Fork oil	160 ml	Front Fork Top-up/Replace\
11	36 DH40 29	Kit Spray Chain Lub	100 ml	Sealed Drive Chain
12	36 DH40 71	Wonderfill Chain Spray	100 ml	Sealed Drive Chain

Consumable Parts

<p>13</p> 	<p>14</p> 	<p>15</p> 
<p>16</p> 	<p>17</p> 	<p>18</p> 
<p>19</p> 	<p>20</p> 	
<p>22</p> 	<p>23</p> 	<p>24</p> 

No.	Part No.	Description	Supply Unit	Application
13	36 DH40 72	Rust Remover Spray Make - Zorric 88 & Wonder fill easiner	100 ml	For Removing Rust from Components
14	76 0109 36	Loctite Thread locker 243	50 ml	For Screws & Bolts
15	76 0109 37	Loctite retaining compound 638	50 ml	For Screws & Bolts
16	37 0043 52	Touch up paint slate grey	440 ml	Touch up of Frame, Swing Arm & Step Holder
17	37 0043 53	Touch up paint Matte Silk black	440 ml	Touch up of Grab Handle, Handle Bar & Handle Holder
18	36 0010 60	Kibatsu touch up paint	400 cc	Touch up of Cylinder head, Block & Alloy Wheels
19	37 2240 18	Paint Bottle Schwartz Black	--	P-200NS Frame Touch-up
20	75 6802 36 NA	Petroleum Jelly (Local Purchase) Distilled Water (Local Purchase)	-- 1 Ltr.	For Battery Terminals For Battery Level Top-up
21	NA	SAE 90 oil (Local Purchase)	-	
22	62 3050 84	WD40 Spray (Local Purchase)	400 ml	Electrical Contact Cleaning Spray
23	36 0010 56	Carburetor Cleaning Spray		For Cleaning Carburetor
24	37 2540 39	Corrosion Protection Spray Proto quick LTP902 (To be ordered on Vendor)	--	For Preventing vehicle parts from rusting

# Kit List



Sr No	Kit Part No.	Kit Description	Consisting of Following Parts		
			Part No.	Description	Qty/Kit
1	36PD0015	TANK DCL-DARK BLUE-A101	PD233017	TANK DECAL RH (DARK BLUE)	1
			PD233016	TANK DECAL LH (DARK BLUE)	1
			PD233021	DECAL TANK CENTER (DARK BLUE)	1
2	36PD0017	S COVER DCL DARK BLUE-A101	PD233018	SIDE COVER DECAL LH (DARK BLUE)	1
			PD233019	SIDE COVER DECAL RH (DARK BLUE)	1
3	36PD0012	ASSLY CL COVER-A102	PD541228	CLUTCH COVER	1
			DK101738	DECAL COVER RH	1
			39199020	BEARING - NEEDLE	1
			39104119	SEAL OIL	1
			31101060	PLUG	2
4	36DS1002	Valve Kit	DH101611	VALVE - INTAKE	1
			DS101024	VALVE - EXHAUST	1
5	36DH4030	KIT CHAIN GUIDE PULSAR-150	DK101059	GUIDE CHAIN (SLACK)	1
			DH101923	GUIDE CAM CHAIN TIGHT SIDE	1
6	36DJ4008	Ring Set Piston	DH101666	RING PISTON TOP	1
			DH102054	PISTON RING 2ND-CHROME PLATED	1
			DH101669	RING PISTON OIL	1
7	Kit Friction Plate	Kit Friction Plate	DK101566	DISK A FRICTION CLUTCH	3
			PK551419	DISK C FRICTION CLUTCH	1
			DK101568	DISK B FRICTION CLUTCH	1
8	36PD0009	Chain Sprocket-A101	JM151001	Sprocket (38 T)	1
			DT141005	Chain 110 Link	1
			DV101048	Sprocket (14 T)	1
9	36PD0014	Assly C'case RH-A101	PD541018	Crankcase RH (JC)	1
			59050002	Stud Bolt (M10)	1
			39258320	Bearing Ball6004-SKF	1
			59200027	Bearing NRB HK 1516 (15*21*16)	1
			39260120	Bearing Ball	1
39215220	Needle Roller Bearing	1			
10	36PD0013	Assly C'case LH-A101	PD541017	Crankcase LH	1
			CB101220	Plug	1
			59050002	Stud Bolt (M10)	1

# Kit List



Sr No	Kit Part No.	Kit Description	Consisting of Following Parts		
			Part No.	Description	Qty/Kit
			39260320	Ball Bearing	1
			59200006	BRG Ball 6204Z HN3 (20*47*14)	1
			39218520	Deep Groove Ball Bearing	1
			30101014	Seal-Oil	1
			39219019	Oil Seal	1
			DH101203	Breather Pipe	1
11	PD511054	COVER CYLINDER HEAD	PD511101	COVER CYLINDER HEAD	1
			PD511021	CYLINDER HEAD	1
12	DH101864	Block - Piston	DH101665	ASSEMBLY PISTON	1
			DH101878	CYL BLOCK (K1UG4 THICK LINER)	1
13	36DS1001	Cyl. Head O Ring Kit	39239121	O Ring (Cover Tappet)	2
			39128321	O ring	2
14	DK101326	Valve Repair Kit	DK101247	Retainer Valve Spring	2
			DK101108	Spring Valve Inner	2
			DK101110	Spring Valve Outer	2
			DK101246	Seat Valve Spring	2
15	36DK0007	Kit Centrifugal Oil Filter	39220011	Washer	1
			DH101234	Gasket Centrifugal Oil Filter	1
			39226701	Oval Screw	3
			DH101066	Join Oil Deliver	1
			DH101067	Spring Oil Deliver	1
39219908	Pin Oil Deliver Joint	1			
16	36DV0007	Steering Cone Kit	DG181045	Bearing Cone Upper	1
			DG181046	Bearing race Upper	1
			DG181047	Bearing race Lower	1
			DG181005	Bearing Cone Lower	1
17	36DK0038	Set Primary Drive/Driven	DK101561	Clutch Housing	1
			DH101628	Gear Primary Drive	1
18	36DK0077	KIT for Starter Clutch DK101595	DK101596	Spring Starter Clutch	5

# Kit List



Sr No	Kit Part No.	Kit Description	Consisting of Following Parts		
			Part No.	Description	Qty/Kit
19	36DK0076	KIT Starter Clutch Assly DK101595	DK101595	Body Starter Clutch	1
			DK101596	Spring Starter Clutch	5
			39084914	Washer - Lock :- Toothed	3
20	36DV0005	Kit Holder Step FR. Serviceable	DG161146	Spring - L	1
			DG161147	Spring - R	1
			DG161144	Bolt	2
			39198204	Bolt - Hexagon Socket Head :- M5	4
			39220404	Bolt - Hexagon Head With Flange :- M6	1
			39195404	Bolt - Flanged :- Small	1
			39150611	Washer - Plain	2
			39193717	Circlip	2
			DG161222	Bolt :- Pre-Coated	3
			DG161223	Bolt - Pre-Coated	1
21	36PD0055	Kit Friction Plate	DK101566	DISK A FRICTION CLUTCH	3
			PK551419	DISK C FRICTION CLUTCH	1
			DK101568	DISK B FRICTION CLUTCH	1
22	36PD0012	Kit Assly Clutch	Pd541228	CLUTCH COVER	1
			Dk101738	DECAL COVER Rh	1
			39199020	BEARING - NEEDLE	1
			39104119	SEAL OIL	1
			31101060	PLUG	2
23	52DH0169	OIL PUMP ASSEMBLY	DH121001	PUMP ASSEMBLY - OIL	1
			DH121010	MESH - FILTER :- OIL PUMP	1
			39219421	RING - O	1
			DH121035	CLIP MESH OIL FILTER	1
24	36PD0062	A102 HEAD COVER + COVER BSIV	DH102191	CYLINDER HEAD COMPLETE_ SAI	1
			DH101272	PLUG	2
			PD511101	COVER CYLINDER HEAD	1
			DS101166	SILENT BUSH	2
			39166005	STUD-M8	2

# Kit List



Sr No	Kit Part No.	Kit Description	Consisting of Following Parts		
			Part No.	Description	Qty/Kit



# Parts Index



Part Number	Figure No.	Page No.	Part Number	Figure No.	Page No.
30101014	11	26	31201001	6	100
30101236	6	46	31201021	5	102
30141015	28	82	33141008	8	6
30141026	14	80	36314004	33	78
30141028	24	80	39014608	18	54
30141031	10	80	39014608	11	66
30141032	25	80	39014608	6	90
30141039	11	80	39069415	18	66
30151005	7	64	39074011	34	82
30151069	16	64	39075201	7	26
30151076	8	64	39076101	21	80
30151082	12	64	39078912	19	66
30181026	16A	76	39078912	28	74
30191017	16	72	39079012	3	96
30191024	15	72	39079708	7	58
30191035	1	90	39080511	5	66
30191036	7	90	39080708	21	66
30191048	3	102	39084914	18	44
30201033	5	96	39097204	10	44
31101106	11	2	39099906	10	28
31101106	15	26	39099906	4	30
31101108	14	22	39104119	3	28
31101173	4	14	39105315	7	50
31121006	9	12	39106901	21	64
31161078	6	92	39107504	9	2
31201001	7	98	39107601	4	92

# Parts Index



Part Number	Figure No.	Page No.	Part Number	Figure No.	Page No.
39121111	10	66	39194004	3	94
39121111	8	90	39194204	3	86
39122411	12	50	39194304	6	56
39122515	6	38	39194304	12	76
39122515	22	66	39194904	4	86
39122515	5	100	39195004	17	42
39151315	3	66	39195004	15	76
39154011	20	66	39195004	7	100
39162011	9	16	39195204	27	74
39166005	2	4	39195204	16	86
39167304	13	10	39195304	26	74
39167404	8	4	39195304	3	88
39167404	11	16	39196704	5	48
39167404	19	32	39197015	3	48
39167404	2	34	39197115	4	100
39167404	3	42	39197215	11	98
39167704	18	26	39197504	13	104
39167704	3	30	39199020	18	28
39168606	8	16	39199304	19	72
39168606	4	34	39199501	18	72
39182912	7	52	39199715	11	50
39191204	19	80	39199819	13	22
39191204	2	102	39201719	5	8
39191304	20	80	39202904	16	96
39193120	6	14	39204401	10	40
39193717	12	54	39204401	11	40

# Parts Index



Part Number	Figure No.	Page No.	Part Number	Figure No.	Page No.
39215220	5	16	39242704	23	72
39215704	11	48	39244011	9	8
39215811	2	18	39244311	17	28
39216011	9	18	39244811	20	26
39216511	3	14	39245504	10	48
39216611	11	18	39249211	11	38
39217924	6	80	39254220	3	10
39218006	8	24	39255717	7	16
39218006	22	26	39258320	6	24
39218106	2	12	39260120	7	24
39218106	23	26	39260320	8	26
39218304	2	14	39260607	7	20
39218520	10	26	39260801	10	4
39218819	4	26	39261720	4	10
39219019	12	26	39261720	10	32
39219421	6	34	39263904	6	20
39220011	18	32	39264715	6	2
39220307	8	14	39266921	1	10
39220404	4	54	39275404	12	38
39220404	20	54	59040005	3	46
39222815	11	22	59040023	8	2
39222815	5	38	59040031	9	10
39230504	19	26	59040042	1	48
39235404	17	22	59040043	7	48
39240011	12	22	59050002	3	24
39242311	10	58	59050002	2	26

# Parts Index



Part Number	Figure No.	Page No.	Part Number	Figure No.	Page No.
59200006	9	26	36PD0033	8	36
59200007	9	44	36PD0034	2	36
59200027	9	24	36PD0048	6	70
59200028	12	16	36PD0049	5	70
59210006	5	26	36PD0050	1	68
36DH4030	5	10	36PD0051	1A	68
36DJ4008	4	12	36PD0053	13	68
36DJ4017	1	28	36PD0054	4	68
36DK0007	7	14	36PD0055	6	32
36DK0038	9	14	36PD0060	7	54
36DK0038	4	32	36PD0062	1	2
36DK0045	17	44	36PD0062	1	4
36DK0076	1	44	36PD0063	6	108
36DK0077	15	44	36PD0081	2	40
36DS1001	3	2	36PD0082	21	76
36DS1001	11	4	52Dg0268	11	56
36DS1002	7	8	52DH0153	13	44
36DV0005	10	54	52DH0169	1	34
36DV0007	4	46	52DH0177	10	16
36JF0015	10	70	52DV0024	16	54
36JF0016	9	70	52DV0051	16	22
36PD0009	10	64	52DV0052	4	22
36PD0013	1	26	52JM0018	2	106
36PD0014	2	24	52PD0109	5	30
36PD0015	6	108	52PD0117	29	82
36PD0017	7	108	52PD0135	1	30

# Parts Index



Part Number	Figure No.	Page No.	Part Number	Figure No.	Page No.
52PD0149	1	108	DD161071	4	58
52PD0150	5	60	DF141128	7	46
52PD0151	6	60	DG101029	4	8
52PD0154	2	108	DG101187	6	22
52PD0155	3	108	DG101249	7	38
52PD0156	5	108	DG101285	4	38
52PD0166	4	108	DG101339	5	22
52PD0331	2	108	DG101417	3	38
52PD0332	3	108	DG101418	7	28
52PD0341	1	108	DG101419	9	38
52PD0379	1	108	DG111008	7	42
52PD0380	1	108	DG121002	13	40
AA101437	13	18	DG121012	3	40
AA101437	4	24	DG121014	5	40
AA141067	12	6	DG121020	8	40
AA201227	8	98	DG121023	9	40
AK201012	12	102	DG121040	18	84
AP101043	7	30	DG141017	2	104
AP111012	12	42	DG141019	15	80
AP201025	14	102	DG141020	1	80
CS101128	14	10	DG141024	12	80
DD101062	15	10	DG141025	13	80
DD111012	15	42	DG141026	16	80
DD121007	8	12	DG141027	18	80
DD141227	33	82	DG141028	8	80
DD161022	8	92	DG141029	17	80

# Parts Index



Part Number	Figure No.	Page No.	Part Number	Figure No.	Page No.
DG141043	9	80	DG161120	2	92
DG141059	5	80	DG161121	3	92
DG151005	7	62	DG161124	10	38
DG151006	1	62	DG161124	8	58
DG151007	8	62	DG161129	3	58
DG151008	9	62	DG161145	9	54
DG151008	20	64	DG161147	11	54
DG151021	3	60	DG161150	17	54
DG151058	15	64	DG161153	8	54
DG151059	4	64	DG161153	22	54
DG151060	5	64	DG161154	12	48
DG151062	19	64	DG161165	13	48
DG151065	24	64	DG161168	6	104
DG151068	25	64	DG161189	13	54
DG151070	2	60	DG161206	2	56
DG151071	4	60	DG161219	2	58
DG151085	18	64	DG161219	9	58
DG151088	4	70	DG161220	1	92
DG151095	14	64	DG161225	9	92
DG151096	3	64	DG161230	6	58
DG151097	1	60	DG161267	1	56
DG161108	5	56	DG161276	11	58
DG161110	3	56	DG171015	3	50
DG161113	7	56	DG171016	5	50
DG161117	5	92	DG171018	9	50
DG161118	7	92	DG171019	10	50

# Parts Index



Part Number	Figure No.	Page No.	Part Number	Figure No.	Page No.
DG171022	8	50	DG181040	34	78
DG171025	6	52	DG181041	32	78
DG171034	6	50	DG181048	5	46
DG171035	2	52	DG181054	25	72
DG171036	4	52	DG181055	1	104
DG171037	3	52	DG181057	8	104
DG171038	8	52	DG181058	11	104
DG171039	5	52	DG181059	12	104
DG181003	18	76	DG181069	3	72
DG181004	23	76	DG181085	17	76
DG181005	20	76	DG181087	24	72
DG181006	28	78	DG181099	37	78
DG181008	29	78	DG191010	11	72
DG181011	13	76	DG191010	13	72
DG181013	14	76	DG191012	12	72
DG181014	6	76	DG191013	14	72
DG181015	7	76	DG191014	17	72
DG181021	24	76	DG191049	23	66
DG181022	11	76	DG191050	9	90
DG181024	19	76	DG191051	9	66
DG181025	30	78	DG191051	10	90
DG181026	22	76	DG191064	10	96
DG181026	30A	78	DG191064	6	98
DG181028	38	78	DG201012	14	96
DG181034	2	76	DG201015	9	98
DG181036	27	78	DG201023	10	104

# Parts Index



Part Number	Figure No.	Page No.	Part Number	Figure No.	Page No.
DG201027	11	102	DH101072	2	16
DG201030	20	72	DH101079	4	18
DG201030	16	104	DH101084	8	18
DG201040	18	96	DH101108	12	18
DG201043	8	96	DH101111	15	18
DG201049	3	98	DH101141	4	28
DG201050	4	98	DH101141	12	32
DG201057	11	96	DH101142	5	28
DG201061	17	102	DH101144	3	22
DG201066	2	96	DH101146	3	20
DG201069	7	96	DH101154	12	28
DG201070	9	96	DH101163	16	44
DG201072	13	96	DH101172	7	44
DG201073	15	96	DH101195	11	14
DG201075	1	98	DH101197	2	28
DG201076	5	98	DH101199	5	42
DG201077	11	100	DH101203	13	26
DG201078	12	100	DH101235	5	18
DG211006	18	86	DH101272	10	2
DG221009	5	104	DH101275	17	32
DG221010	9	104	DH101292	9	30
DH101016	1	12	DH101293	10	30
DH101018	11	28	DH101294	11	30
DH101048	8	10	DH101295	8	8
DH101064	10	14	DH101319	18	18
DH101065	12	14	DH101380	6	42

# Parts Index



Part Number	Figure No.	Page No.	Part Number	Figure No.	Page No.
DH101381	4	42	DH101896	5	24
DH101385	3	16	DH102013	8	18
DH101385	24	26	DH102104	1	16
DH101385	5	44	DH102174	5	6
DH101388	14	30	DH102180	6	6
DH101389	14	44	DH102189	8	20
DH101392	11	10	DH111012	9	4
DH101393	7	22	DH111013	9	42
DH101394	10	22	DH111016	11	42
DH101412	7	10	DH111084	11	44
DH101414	3	12	DH111115	11	44
DH101424	6	16	DH121010	3	34
DH101487	10	24	DH121011	14	28
DH101493	4	20	DH121012	15	28
DH101496	9	20	DH121035	5	34
DH101508	4	4	DH121038	7	4
DH101544	16	28	DH121057	5	36
DH101581	4	44	DH121093	13	36
DH101648	14	32	DH121162	7	36
DH101661	14	26	DH121167	9	36
DH101671	5	12	DH121168	3	36
DH101680	3	4	DH121169	11	36
DH101705	1	22	DH121170	10	36
DH101714	2	22	DH121173	4	36
DH101862	3	32	DH151039	11	70
DH101864	6	12	DH171019	4	62

# Parts Index



Part Number	Figure No.	Page No.	Part Number	Figure No.	Page No.
DH171019	17	64	DK101103	3	18
DH191062	15	68	DK101104	7	18
DJ101063	23	18	DK101126	13	32
DJ101134	4	16	DK101144	10	18
DJ121030	6	4	DK101159	1	20
DJ121059	12	36	DK101160	2	20
DJ141006	27	82	DK101176	6	44
DJ141056	3	80	DK101245	20	18
DJ151070	7	70	DK101248	13	14
DJ161228	6	30	DK101251	6	28
DJ181011	2	72	DK101253	9	22
DJ191026	5	68	DK101326	6	8
DJ191027	6	68	DK101338	20	28
DJ191028	7	68	DK101352	21	18
DJ191029	8	68	DK101380	16	26
DJ191030	9	68	DK101480	13	28
DJ191031	10	68	DK101565	7	32
DJ191034	11	68	DK101569	5	32
DJ191035	12	68	DK101570	16	32
DJ201021	21	26	DK101571	2	32
DJ201109	14	68	DK101573	11	32
DJ201109	17	104	DK101574	9	32
DK101072	12	32	DK101592	7	12
DK101094	3	26	DK101605	2	44
DK101097	6	26	DK101636	15	32
DK101102	6	18	DK101725	8	22

# Parts Index



Part Number	Figure No.	Page No.	Part Number	Figure No.	Page No.
DK101732	5	20	DV151007	5	62
DK101738	19	28	DV161017	1	58
DK101748	1	8	DV161033	5	58
DK101751	2	8	DV161036	10	102
DK101755	3	8	DV161046	1	54
DK151026	7	60	DV161060	9	58
DK181075	5	46	DV181008	2	88
DK201098	2	90	DV181013	5	76
DP161144	31	78	DV191002	4	90
DP161145	4	56	DV191004	5	90
DS101084	7	2	DV191007	3	68
DS101096	5	2	DV201016	8	102
DS101154	5	14	DZ161265	9	56
DS101166	4	2	GF201050	31	82
DS101215	8	28	GH201012	9	100
DS101353	9	28	JA581233	6	36
DS101353	12	44	JC101034	12	10
DS121126	14	40	JC101035	10	10
DS201025	9	102	JC101114	3	44
DT402006	9A	102	JC101115	8	44
DV101034	15	22	JC111028	1	42
DV101040	4	22	JC151020	3	62
DV101042	2	30	JD113814	13	6
DV101048	22	18	JD113815	14	6
DV101059	4	40	JD402217	18	102
DV151006	11	64	JE541212	8	30

# Parts Index



Part Number	Figure No.	Page No.	Part Number	Figure No.	Page No.
JE581039	9	6	JM171004	2	50
JF401803	6	102	JM191010	35	74
JG171029	16	84	JM191011	4	66
JG171086	10	84	JM191012	7	66
JG401036	10	98	JM191013	8	66
JH171025	11	84	JM191013	3	90
JH171048	9	84	JM191014	15	66
JK511002	12	40	JM191014	13	102
JL131232	8	64	JM221003	1	106
JL581065	11	6	JM221004	31	74
JL581066	10	6	JM221005	32	74
JM100040	12	30	JM221006	33	74
JM100041	13	30	JW131807	8	70
JM101008	1	14	JY113842	3	84
JM101016	5	4	JY171070	17	84
JM101017	7	40	JY171090	15	84
JM101022	14	38	JY171825	13	84
JM101027	2	38	KAAC0630	2	66
JM141009	27	82	KACF0612	23	54
JM151005	6	64	KACF0830	16	76
JM161002	4	48	KADQ0630	15	6
JM161003	2	48	KADU0840	4	94
JM161023	6	48	KADU0855	5	94
JM161037	5	54	KAEA0610	20	42
JM161037	1	66	KAEG0614	7	6
JM171003	4	50	KBUA0612	13	66

# Parts Index



Part Number	Figure No.	Page No.
KBUC0614	9	46
KBUF0614	6	86
KCGA0606	8	56
KCGF0606	16	6
KDBA0613	15	86
KJAB1019	17	26
KPBC6004	22	64
KPBC6202	6	62
KPBC6202	13	64
KPBC6302	23	64
LAC00090	17	86
LBU00008	14	66
LEC00001	6	66
PA401018	30	82
PD111036	1	46
PD111041	1	46
PD113000	2	54
PD113001	6	54
PD113002	14	54
PD113003	2A	54
PD113004	15	54
PD113010	16	54
PD113410	8	48
PD113411	9	48
PD113413	6A	48
PD113802	19	84

Part Number	Figure No.	Page No.
PD113803	5	72
PD113807	19	42
PD113814	8	46
PD121006	35	78
PD121007	1	76
PD121009	3	76
PD121010	4	76
PD121011	26	78
PD121012	25	76
PD121014	36	78
PD121015	9	76
PD122000	1	50
PD122003	16	66
PD122004	17	66
PD122005	1	52
PD131004	1A	60
PD131007	5A	60
PD131211	2A	60
PD131212	1	64
PD131212	9	64
PD131218	6A	60
PD131803	3	70
PD131804	1	70
PD131806	2	70
PD131807	16	68
PD131808	2	68

# Parts Index



Part Number	Figure No.	Page No.
PD131810	2	64
PD151000	1	72
PD151001	6	72
PD151003	4	72
PD151003	10	76
PD151004	7	72
PD151005	8	72
PD151006	2	46
PD161001	10	72
PD161004	9	72
PD171003	7	80
PD171008	2	80
PD171008	22	80
PD171023	32	82
PD171601	4	80
PD171602	14	84
PD171603	4	84
PD171604	2	84
PD171605	6	84
PD171606	7	84
PD171609	12	84
PD171611	5	84
PD171612	4	80
PD171616	8	84
PD181000	4	102
PD181212	7	86

Part Number	Figure No.	Page No.
PD181213	11	86
PD181214	10	86
PD181215	8	86
PD181216	8	76
PD181401	10	56
PD191001	2	86
PD191002	1	86
PD231201	1	94
PD231202	2	94
PD231204	13	38
PD231205	19	54
PD231205	12	66
PD231206	3	54
PD231401	9	86
PD231402	12	86
PD231403	13	86
PD231404	21	86
PD231411	20	86
PD231412	5	86
PD231604	29	74
PD231605	30	74
PD232602	7	104
PD232603	4	104
PD233001	12	108
PD233002	8	108
PD233003	8	108

# Parts Index



Part Number	Figure No.	Page No.	Part Number	Figure No.	Page No.
PD233020	13	108	PD402004	14	42
PD233022	9	108	PD402005	14A	42
PD233030	10	108	PD402212	7	102
PD233031	11	108	PD402213	16	102
PD233053	14	108	PD402214	15	102
PD233054	15	108	PD402226	7	102
PD351002	2	42	PD402235	7	102
PD351215	8	42	PD402400	1	88
PD351220	10	42	PD402604	23	80
PD351222	16	42	PD402606	26	82
PD351235	10	42	PD402607	23	80
PD351237	16	42	PD402609	26	82
PD401001	2	98	PD501009	1	24
PD401004	1	100	PD501022	1	24
PD401005	2	100	PD511025	2	2
PD401006	3	100	PD511054	1	2
PD401007	8	100	PD511054	1	4
PD401014	12	96	PD511129	18	42
PD401400	3	104	PD511224	2	10
PD401401	21	72	PD511229	6	10
PD401401	15	104	PD551033	1	18
PD401404	22	72	PD551201	16	18
PD401404	14	104	PD551202	19	18
PD401409	21A	72	PD551203	14	18
PD401601	1	102	PD551204	17	18
PD402002	13	42	PD551400	1	32

# Parts Index



Part Number	Figure No.	Page No.	Part Number	Figure No.	Page No.
PD551427	8	32			
PD551439	7	32			
PD581009	6	40			
PD581013	1	40			
PD581033	1	40			
PD581215	1	36			
PD581217	1	36			
PD581410	5A	4			
PD582200	1	6			
PD582400	2	6			
PD582401	3	6			
PD582402	4	6			
PD591023	15	38			
PD591100	8	38			
PD591101	16	38			
PF171030	1	84			
YPD01008	17	96			
YPD01009	6	96			
YPD01010	10	100			
YPD02001	1	38			
YPD02002	1	96			
YPD02003	19	96			
YPD02004	20	96			
YPD03001	4	96			